



Cat[®] 216B Series 2

SKID STEER LOADER

FEATURES:

The Cat[®] 216B Series 2 Skid Steer Loader, with its radial lift design, delivers excellent digging performance with outstanding drawbar power. The 216B Series 2 features the following:

- **Ergonomic operator station** features easy to use pilot operated joystick controls for reduced operator fatigue and increased productivity.
- **High performance power train** provides high engine horsepower and torque, allowing part-throttle operation for lower sound levels and fuel consumption.
- **Advanced hydraulic system** is designed for maximum power and reliability.
- **Easy routine maintenance** helps reduce machine downtime for greater productivity.
- **Broad range of performance matched Cat[®] Work Tools** make the Cat Skid Steer Loader the most versatile machine on the jobsite.

Specifications

Engine

Engine Model	Cat [®] C2.2	
Gross Power SAE J1995	38 kW	51 hp
Net Power SAE 1349	35 kW	47 hp
Displacement	2.2 L	134 in ³
Stroke	100 mm	3.9 in
Bore	84 mm	3.3 in

Weights

Operating Weight	2581 kg	5,609 lb
------------------	---------	----------

Power Train

Travel Speed (Forward or Reverse)	11.3 km/h	7.0 mph
-----------------------------------	-----------	---------

Hydraulic System

Hydraulic Flow – Standard:		
Loader Hydraulic Pressure	23 000 kPa	3,335 psi
Loader Hydraulic Flow	60 L/min	15.6 gal/min
Hydraulic Power	22.7 kW	30.4 hp

Operating Specifications

Rated Operating Capacity	635 kg	1,400 lb
Rated Operating Capacity with Optional Counterweight	680 kg	1,500 lb
Tipping Load	1270 kg	2,800 lb
Breakout Force, Tilt Cylinder	1852 kg	4,083 lb

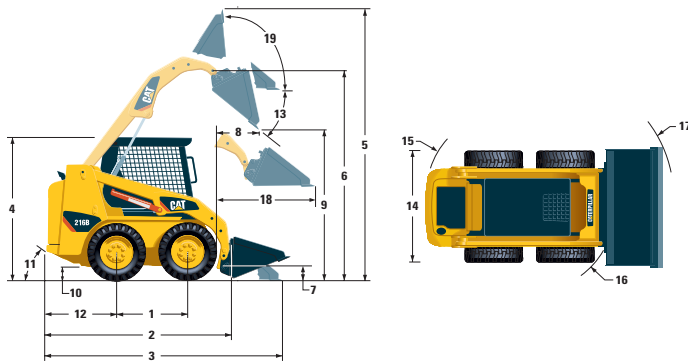
Cab

ROPS	SAE J1040 MAY94, ISO 3471:1994
FOPS	SAEJ/ISO 3449 APR98 Level I, ISO 3449:1992 Level I
FOPS Level II	SAEJ/ISO 3449 APR98 Level II, ISO 3449:1992 Level II (optional)

Service Refill Capacities

Chain box, each side	6 L	1.6 gal
Cooling System	10 L	2.6 gal
Engine Crankcase	10 L	2.6 gal
Fuel Tank	58 L	15.4 gal
Hydraulic System	55 L	14.5 gal
Hydraulic Tank	35 L	9.2 gal

216B Series 2 Skid Steer Loader



Dimensions

1 Wheelbase	986 mm	39 in
2 Length w/o Bucket	2519 mm	99 in
3 Length w/Bucket on Ground	3233 mm	127 in
4 Height to Top of Cab	1950 mm	77 in
5 Maximum Overall Height	3709 mm	146 in
6 Bucket Pin Height at Maximum Lift	2854 mm	112 in
7 Bucket Pin Height at Carry Position	239 mm	9.3 in
8 Reach at Maximum Lift and Dump	505 mm	20 in
9 Clearance at Maximum Lift and Dump	2169 mm	85 in
10 Ground Clearance	195 mm	8 in
11 Departure Angle	26°	
12 Bumper Overhang Behind Rear Axle	967 mm	38 in
13 Maximum Dump Angle	40°	
14 Vehicle Width over Tires	1525 mm	60 in
15 Turning Radius from Center – Machine Rear	1485 mm	58.5 in
16 Turning Radius from Center – Coupler	1199 mm	47.2 in
17 Turning Radius from Center – Bucket	1940 mm	76.4 in
18 Maximum Reach w/Arms Parallel to Ground	1280 mm	50.4 in
19 Rack Back Angle at Maximum Height	96.7°	

MANDATORY EQUIPMENT

- Quick Coupler, Mechanical or Hydraulic
- Seat Belt, 50 mm (2 in) or 75 mm (3 in)

COMFORT PACKAGE (must select one of the following)

- Open ROPS (C0): *Static Seat*
- Open ROPS (C1): *Suspension Seat, Cup Holder*
- Enclosed ROPS (C2): *C1 + Heater, Cab Door, Side Windows, Cab Debris Barrier*

CONTROL PACKAGE (must select one of the following)

- Control Package 1: *On/Off Auxiliary Hydraulics Basic*
- Control Package 2: *Proportional Auxiliary Hydraulics Deluxe*

STANDARD EQUIPMENT

ELECTRICAL

- 12 volt Electrical System
- 65 ampere Alternator
- Ignition Key Start/Stop Switch
- Lights: *Gauge Backlighting, Two Rear Tail Lights, Two Adjustable Front and Rear Halogen Lights, Dome Light*

OPERATOR ENVIRONMENT

- Gauges: *Fuel Level, Hour Meter*
- Operator Warning System Indicators: *Air Filter Restriction, Alternator Output, Armrest Raised/Operator Out of Seat, Engine Coolant Temperature, Engine Oil Pressure, Glow Plug Activation, Hydraulic Filter Restriction, Hydraulic Oil Temperature, Parking Brake Engaged*
- Vinyl Seat
- Pull Down Ergonomic Contoured Armrest
- Control Interlock System, when operator leaves seat or armrest raised: *Hydraulic System Disables, Hydrostatic Transmission Disables, Parking Brake Engages*
- ROPS Cab, Open, Tilt Up
- FOPS, Level I
- Top and Rear Windows
- Headliner, Deluxe
- Floor Mat
- Interior Rear View Mirror
- 12 volt Electric Socket
- Horn
- Backup Alarm

POWER TRAIN

- Cat® C2.2 Tier 4 Interim Compliant Diesel Engine
- Air Cleaner, Dual Element, Radial Seal
- S-O-SSM Sampling Valves, Engine Oil and Hydraulic Oil
- Filters: Spin on, Hydraulic
- Filters: Bayonet-type, Fuel and Water Separator
- Tilt Up Radiator/Hydraulic Oil Cooler
- Muffler, Standard
- Spring Applied, Hydraulically Released, Wet Multi Disc Parking Brakes
- Hydrostatic Transmission
- Four Wheel Chain Drive

OTHER

- Engine Enclosure, Lockable
- Extended Life Antifreeze, -36° C (-33° F)
- Machine Tie Down Points (4)
- Support, Lift Arm
- Hydraulic Oil Level Sight Gauge
- Radiator Coolant Level Sight Gauge
- Radiator, Expansion Bottle
- Cat® ToughGuard™ Hose
- Auxiliary, Hydraulics, Continuous Flow
- Heavy Duty, Flat Faced Quick Disconnects
- Split D-Ring to Route Work Tool Hoses Along Side of Left Lift Arm
- Electrical Outlet, Beacon
- Belly Pan Cleanout

OPTIONAL ATTACHMENTS

- Counterweight, increases rated operating capacity 45 kg (100 lb)
- Beacon, Rotating
- Engine Block Heater – 120V or 240V
- Oil, Hydraulic, Cold Operation
- Paint, Custom
- Heavy Duty Battery, 850 CCA

For more complete information on Cat products, dealer services, and industry solutions, visit us on the web at www.cat.com

AEHQ5895-02 (11-07)

© 2007 Caterpillar
All Rights Reserved
Printed in U.S.A.

Materials and specifications are subject to change without notice. Featured machines in photos may include additional equipment. See your Caterpillar dealer for available options.

CAT, CATERPILLAR, SAFETY.CAT.COM, their respective logos, "Caterpillar Yellow" and the POWER EDGE trade dress, as well as corporate and product identity used herein, are trademarks of Caterpillar and may not be used without permission.

CATERPILLAR®