

# Electric Pneumatic Tire Lift Trucks

Capacity: 5,000-10,000 lb



# EPC5000-EP6000 And EP7000-EP10000 Series

The EPC5000-EP6000 and EP7000-EP10000 Series of 80-Volt four-wheel electric pneumatic trucks provide maximum performance in a variety of applications due to advanced AC technology and operator-friendly controls. Supported by the industry's best dealer network, these trucks are the ideal choice for your material handling needs.

**No Emissions.** With no emissions and performance equal to or better than an IC truck, these lift trucks are an ideal choice for the environmentally-conscious customer.

**Extended Areas Of Operation.** Electric motors protected to IP54 and specially designed options such as operator cabs allow for operation in areas outside of traditional electric lift truck applications.

**Increased Productivity And Efficiency.** High torque at all speed levels combined with an advanced regenerative braking system ensures a highly-productive operation. The benefit is considerably faster throughput or even a possible reduction in fleet size.



Model	Capacity (lbs)										
	5,000	5,500	6,000	6,500	7,000	7,500	8,000	8,500	9,000	9,500	10,000
EPC5000	■										
EP5000	■										
EP6000	■	■									
EP7000	■	■	■	■							
EP8000	■	■	■	■	■	■					
EP9000	■	■	■	■	■	■	■				
EP10000	■	■	■	■	■	■	■	■	■	■	■

## Comfortable Ride

The floating cab rests on cushioning bushings and soft ride tires working with the full-suspension seat to absorb floor shocks and overall vibration. The small diameter, fully adjustable steering wheel provides low-effort, precise steering.

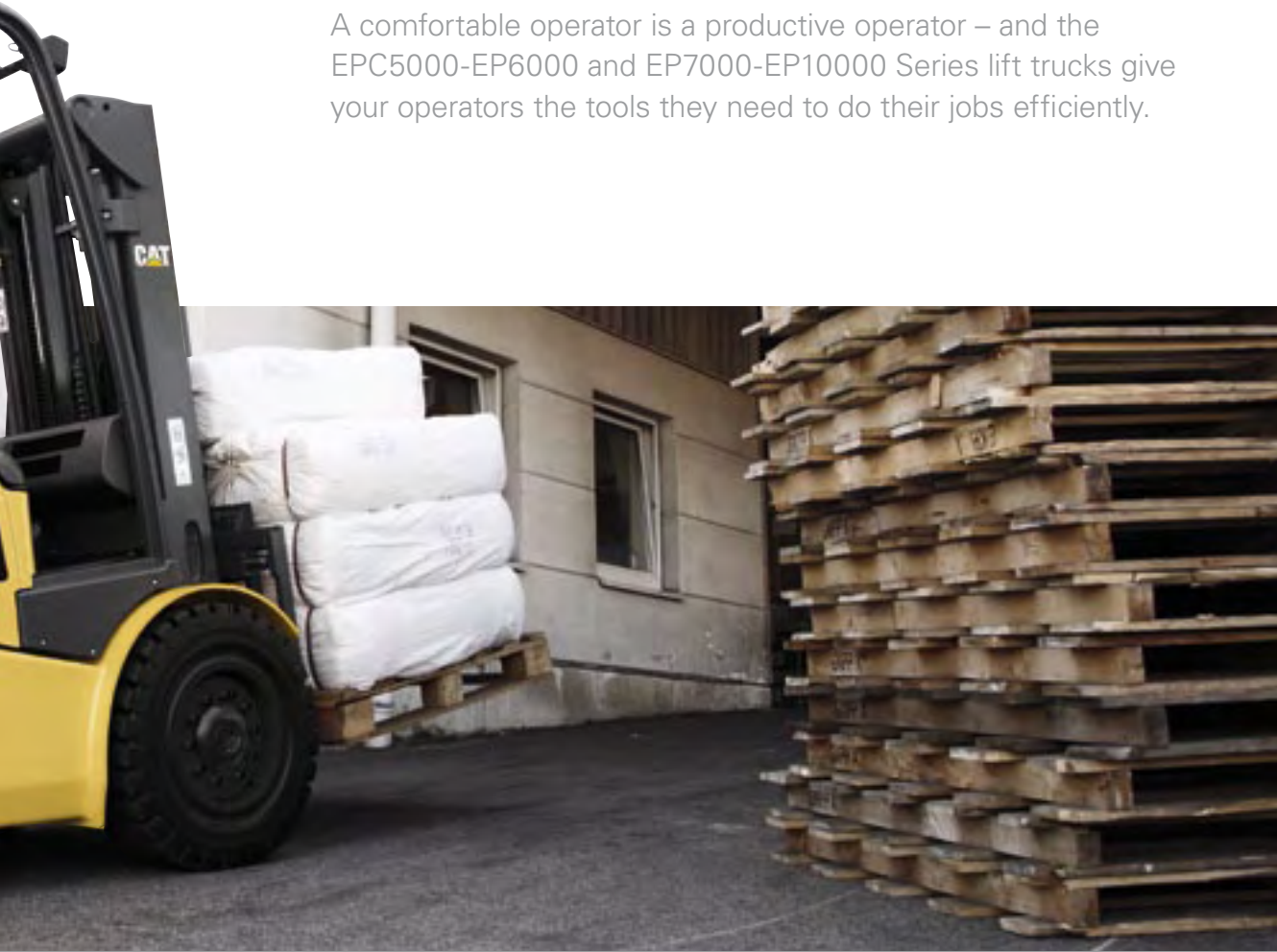


Spacious operator compartment



## Advanced Ergonomics

A comfortable operator is a productive operator – and the EPC5000-EP6000 and EP7000-EP10000 Series lift trucks give your operators the tools they need to do their jobs efficiently.



### In Control

The standard fingertip hydraulic controls are integrated into the armrest and offer low-effort, precise control. The travel direction switch and horn are integrated into the module for simultaneous use. Joystick control is available as an option.



Optional joystick control

### Premium Operator Display

The easy-to-read, steer column-mounted display includes a digital operating hour meter, battery discharge indicator with lift cut-out and maintenance/service data. In addition, five different performance modes provide considerable adjustments to the drive and hydraulic functions to meet operator requirements.



Optimized display panel raises awareness

# RELIABILITY

## Powerful Technology

The durable 80-Volt EPC5000-EP6000 and EP7000-EP10000 Series trucks can deliver performance similar to an IC lift truck with all the benefits of an electric truck, including elimination of emissions and reduced maintenance costs.



### Efficient Performance

These trucks offer improved efficiency through the design of the AC control system and optimal energy recovery through the regenerative braking system, resulting in longer operating times on just one battery charge.

### Reliable Motors

The enclosed AC electric motors are protected against chemicals, dust and water—earning an IP54 rating. These extremely quiet motors provide precise performance at all power levels.



Advanced AC technology





### Optimized Visibility

Narrow mast channels, standard forward work lights and open overhead guards help improve operator visibility to the load and increase awareness to their surroundings during operation.

### Options For Applications

Options such as operator cabs, cold storage modification, attachments and specialty tires can customize the truck for your specific application needs, extending equipment service life and minimizing product damage.

### Effortless Maintenance

With extended service intervals, display-based indicators and reminders and easy access to service components, you can count on maximizing uptime and lowering maintenance costs with your Cat® lift truck.



Increased visibility



Options for tough applications



Service time is minimized

# CUSTOMER SERVICE

## Best Warranty In The Industry

We stand behind our products, giving you peace of mind by helping your trucks stay on the job, day after day. Every new Cat lift truck is covered by a 2-year/unlimited hours warranty that includes parts and labor regardless of service hours. All components and systems are covered. With our standard 3-year/6,000 hours extended powertrain warranty, you'll have the confidence that only comes from owning a Cat lift truck.



### Free Loaner Service Guarantee\*

If your lift truck is not repaired right the first time or within the quoted time, you will receive a free loaner truck while the repair is completed.

### Parts Fast Or Parts Free\*

The Parts Fast Or Parts Free Guarantee ensures next-business-day delivery of parts for all brands of lift trucks, or they're free, including freight. If your part doesn't come in by the next business day, we pay for it.



Guaranteed to keep you moving



Parts for all brands of lift trucks





**Flexible Financing Options\***

Financing your next Cat lift truck is easy with our wide range of flexible leasing and purchasing options. Whether you want to finance or lease, your local Cat lift truck dealer can help customize a package tailored to your specific needs.



Custom financing packages

**Dealers You Can Depend On**

With hundreds of dealer locations in North and South America, Cat lift truck dealers provide more than lift trucks. From flexible financing options, parts, service and product support, our dealers are unsurpassed.



Professionals you can depend on

**Free Planned Maintenance\***

Proper maintenance of your truck helps assure top performance over the long haul. That's why every new Cat lift truck gets its first planned maintenance completed by your local Cat lift truck dealer at no cost to you.



Quality service at the right price

\* Programs may be subject to change without notice and may vary by region. Please ask your local Cat® lift truck dealer for complete terms and conditions.

# Specifications

Characteristics				EPC5000		High-Performance Package		EP5000				
1	Capacity	at rated load center		lb	kg	4,928	2,500	4,928	2,500	4,928	2,500	
2		at load center – distance		in	mm	24	500	24	500	24	500	
3	Power	diesel, gasoline, LP gas, electric			electric		electric		electric			
4	Tire type	cushion, solid pneumatic			solid pneumatic		solid pneumatic		solid pneumatic			
5	Wheels (x=driven)	number front / rear			2x / 2		2x / 2		2x / 2			
Dimensions				EPC5000		High-Performance Package		EP5000				
11	Lift with standard two-stage mast	maximum fork height		in	mm	122	3,100	122	3,100	122	3,100	
12		free fork height		in	mm	5.9	150	5.9	150	5.9	150	
13	Forks	thickness x length x width		in	mm	1.6x4.7x43	40x120x1,150	1.6x4.7x43	40x120x1,150	1.6x4.7x43	40x120x1,150	
	Fork spacing	out-to-out minimum / maximum		in	mm	13.25 / 40.25	335 / 1,022	13.25 / 40.25	335 / 1,022	13.25 / 40.25	335 / 1,022	
14	Tilt	forward / backward		deg		6 / 8		6 / 8		6 / 8		
15	Overall dimensions	length to fork face		in	mm	89.7	2,278	89.7	2,278	95.4	2,422	
16		width	standard		in	mm	47.1	1,196	47.1	1,196	47.1	1,196
			w/ wide stance drive wheels		in	mm	50.2	1,275	50.2	1,275	50.2	1,275
17		height	with lowered mast		in	mm	87.2	2,215	87.2	2,215	87.2	2,215
18			seat height to SIP		in	mm	41.7	1,060	41.7	1,060	41.7	1,060
19			to top of overhead guard		in	mm	87.2	2,215	87.2	2,215	87.2	2,215
20	with extended mast		in	mm	170	4,320	170	4,320	170	4,320		
21	Minimum outside turning radius			in	mm	80.7	2,050	80.7	2,050	86.6	2,200	
22	Load moment constant			in	mm	16.7	425	16.7	425	16.7	425	
23	Minimum aisle - 90° stack – zero clearance without load			in	mm	97.4	2,475	97.4	2,475	103.3	2,625	
Performance				EPC5000		High-Performance Package		EP5000				
24	Speeds	travel speed	loaded	mph	km/h	10.6	17	12.4	20	10.6	17	
			empty	mph	km/h	11.2	18	12.4	20	10.6	17	
lift speed		loaded	fpm	m/s	86.6	0.44	108.3	0.55	86.6	0.44		
		empty	fpm	m/s	106.3	0.54	118.1	0.60	106.3	0.54		
26	lowering speed	loaded	fpm	m/s	114.2	0.58	114.2	0.58	114.2	0.58		
		empty	fpm	m/s	110.2	0.56	110.2	0.56	110.2	0.56		
27	Drawbar pull (max.)	60 min. rating	loaded / empty	lb-f	N	182 / 202	809 / 855	263 / 278	1,169 / 1,236	177 / 197	787 / 877	
		5 min. rating	loaded / empty	lb-f	N	622 / 642	2,765 / 2,855	733 / 758	3,260 / 3,372	617 / 637	2,743 / 2,833	
28	Gradeability	maximum	loaded	%		18.0		21.0		17.0		
		gradeability	empty	%		29.0		35.0		27.0		
Weight				EPC5000		High-Performance Package		EP5000				
29	Empty	with minimum weight battery		lb	kg	9,969	4,522	9,969	4,522	10,267	4,657	
30	Axle load	with rated load	front	lb	kg	13,218	6,230	13,218	6,230	13,414	6,318	
			rear	lb	kg	1,679	791	1,679	791	1,781	839	
		without load	front	lb	kg	4,985	2,261	4,985	2,261	5,492	2,491	
			rear	lb	kg	4,985	2,261	4,985	2,261	4,775	2,166	
Chassis				EPC5000		High-Performance Package		EP5000				
31	Tire size	front, standard solid pneumatic tires		in		23 x 9 - 10		23 x 9 - 10		23 x 9 - 10		
		rear solid pneumatic tires		in		18 x 7 - 8		18 x 7 - 8		18 x 7 - 8		
32	Wheelbase			in	mm	60.5	1,537	60.5	1,537	66.2	1,681	
33	Tread width	front, standard solid pneumatic tires		in	mm	39.0	990	39.0	990	39.0	990	
34		rear solid pneumatic tires		in	mm	36.2	920	36.2	920	36.2	920	
35	Ground clearance	at lowest point at mast		in	mm	4.3	110.0	4.3	110.0	4.3	110.0	
36		at center of wheelbase		in	mm	4.9	125.0	4.9	125.0	4.9	125.0	
37	Brakes	service		type		hydraulic		hydraulic		hydraulic		
38		parking		type		hydraulic		hydraulic		hydraulic		
Powertrain				EPC5000		High-Performance Package		EP5000				
39	Battery	dimensions (length x width x height)			27.99 x 40.47 x 30.87		27.99 x 40.47 x 30.87		33.66 x 40.47 x 30.87			
41		maximum capacity at 6 hr. discharge rate		Ah	kWh	700	54.4	700	54.4	700	54.4	
42	weight, minimum / maximum			lb	kg	3,263 / 3,710	1,480 / 1,683	3,263 / 3,710	1,480 / 1,683	3,902 / 4,436	1,770 / 2,012	
43	Motors	traction output (60 min. rating)		HP	kW	14.8	11.0	19.4	14.5	14.8	11.0	
44		lift output (15% rating)		HP	kW	21.5	16.0	31.5	23.5	21.5	16.0	
45	Controls	drive		type		impulse / AC		impulse / AC		impulse / AC		
46		hydraulic		type		AC		AC		AC		
47	Flow rate for attachments			gpm		7.9		7.9		7.9		
48	Relief pressure	for attachments at auxiliary		psi	bar	2,900	200	2,900	200	2,900	200	
49	Noise level			mean value at operator's ear		dB(A)		71		70		

NOTE: Dimensions represent maximum battery size, not compartment size.

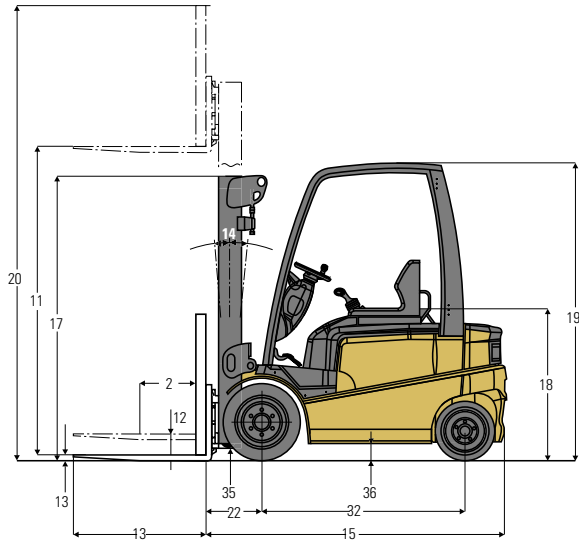


High-Performance Package		EP6000		EP7000		EP8000		EP9000		EP10000	
4,928	2,500	5,917	3,000	6,940	3,500	7,955	4,000	8,950	4,500	9,924	5,000
24	500	24	500	24	500	24	500	24	500	24	500
electric		electric		electric		electric		electric		electric	
solid pneumatic		solid pneumatic		solid pneumatic		solid pneumatic		solid pneumatic		solid pneumatic	
2x / 2		2x / 2		2x / 2		2x / 2		2x / 2		2x / 2	
High-Performance Package		EP6000		EP7000		EP8000		EP9000		EP10000	
122	3,100	122	3,100	122	3,100	118	3,000	118	3,000	118	3,000
5.9	150	5.9	150	5.9	150	5.9	150	5.9	150	5.9	150
1.6x4.7x43	40x120x1,150	1.6x4.9x43	45x125x1,150	1.8x4.9x45.3	45x125x1,150	2x4.9x45.3	50x125x1,150	2x5.9x45.3	50x150x1,150	2x5.9x45.3	50x150x1,150
13.25 / 40.25	335 / 1,022	13.75 / 40.5	349 / 1,028	13.75 / 40.5	349 / 1,028	13.75 / 46.5	349 / 1,181	15.75 / 46.5	400 / 1,181	16.5 / 46.5	419 / 1,181
6 / 8		6 / 8		6 / 8		6 / 8		6 / 8		6 / 8	
95.4	2,422	95.6	2,427	105.7	2,685	111.4	2,830	111.4	2,830	111.4	2,830
47.1	1,196	47.1	1,196	52.8	1,340	52.8	1,340	52.8	1,340	57.1	1,450
50.2	1,275	50.2	1,275	not available		not available		not available		not available	
87.2	2,215	87.2	2,215	87.2	2,215	94.7	2,405	94.7	2,405	94.7	2,405
41.7	1,060	41.7	1,060	45.9	1,165	45.9	1,165	45.9	1,165	45.9	1,165
87.2	2,215	87.2	2,215	91.3	2,320	91.3	2,320	91.3	2,320	91.3	2,320
170	4,320	170	4,320	170	4,320	166	4,220	166	4,220	166	4,220
86.6	2,200	86.6	2,200	90.6	2,300	96.5	2,450	96.5	2,450	96.5	2,450
16.7	425	16.9	430	18.9	480	20.1	510	20.1	510	20.1	510
103.3	2,625	103.5	2,630	109.5	2,780	116.6	2,960	116.6	2,960	116.6	2,960
High-Performance Package		EP6000		EP7000		EP8000		EP9000		EP10000	
12.4	20	12.4	20	9.9	16	9.3	15	9.3	15	9.3	15
12.4	20	12.4	20	10.6	17	10.6	17	10.3	16.5	9.9	16
108.3	0.55	98.4	0.50	74.8	0.38	68.9	0.35	65.0	0.33	61.0	0.31
118.1	0.60	118.1	0.60	98.4	0.50	92.5	0.47	88.6	0.45	88.6	0.45
114.2	0.58	114.2	0.58	114.2	0.58	108.3	0.55	108.3	0.55	108.3	0.55
110.2	0.56	110.2	0.56	108.3	0.55	98.4	0.50	98.4	0.50	98.4	0.50
258 / 278	1,147 / 1,236	243 / 268	1,079 / 1,192	263 / 288	1,169 / 1,281	258 / 283	1,147 / 1,259	248 / 278	1,102 / 1,236	253 / 293	1,124 / 1,304
733 / 758	3,260 / 3,372	707 / 733	3,147 / 3,260	743 / 753	3,305 / 3,350	738 / 753	3,282 / 3,350	733 / 748	3,260 / 3,327	763 / 783	3,395 / 3,485
20.0		18.0		15.5		14.0		12.5		12.0	
32.0		29.0		25.0		23.5		21.5		21.0	
High-Performance Package		EP6000		EP7000		EP8000		EP9000		EP10000	
10,267	4,657	11,039	5,007	12,582	5,707	14,321	6,496	15,092	6,846	15,864	7,196
13,414	6,318	15,177	7,167	17,528	8,267	20,385	9,605	21,837	10,305	23,482	11,105
1,781	839	1,779	840	1,994	940	1,891	891	2,205	1,040	2,306	1,091
5,492	2,491	5,627	2,553	6,508	2,952	8,029	3,642	8,035	3,644	8,040	3,647
4,775	2,166	5,412	2,455	6,074	2,755	6,292	2,854	7,057	3,201	7,824	3,549
High-Performance Package		EP6000		EP7000		EP8000		EP9000		EP10000	
23 x 9 - 10		23 x 10 - 12		250 - 15		250 - 15		250 - 15		28 x 12.5 - 15	
18 x 7 - 8		18 x 7 - 8		21 x 8 - 9		21 x 8 - 9		21 x 8 - 9		21 x 8 - 9	
66.2	1,681	66.2	1,681	73.0	1,855	78.7	2,000	78.7	2,000	78.7	2,000
39.0	990	37.6	956	44.1	1,120	44.1	1,120	44.1	1,120	44.1	1,120
36.2	920	36.2	920	37.4	950	37.4	950	37.4	950	37.4	950
4.3	110.0	4.3	110.0	4.7	120.0	4.7	120.0	4.7	120.0	4.7	120.0
4.9	125.0	4.9	125.0	6.3	160.0	6.3	160.0	6.3	160.0	6.3	160.0
hydraulic		hydraulic		hydraulic		hydraulic		hydraulic		hydraulic	
hydraulic		hydraulic		hydraulic		hydraulic		hydraulic		hydraulic	
High-Performance Package		EP6000		EP7000		EP8000		EP9000		EP10000	
33.66 x 40.47 x 30.87		33.66 x 40.47 x 30.87		33.66 x 40.47 x 30.87		39.33 x 40.47 x 30.87		39.33 x 40.47 x 30.87		39.33 x 40.47 x 30.87	
700	54.4	700	54.4	700	54.4	840	65.2	840	65.2	840	65.2
3,902 / 4,436	1,770 / 2,012	3,902 / 4,436	1,770 / 2,012	3,902 / 4,436	1,770 / 2,012	4,562 / 5,186	2,069 / 2,352	4,562 / 5,186	2,069 / 2,352	4,562 / 5,186	2,069 / 2,352
19.4	14.5	19.4	14.5	24.1	18.0	24.1	18.0	24.1	18.0	24.1	18.0
31.5	23.5	31.5	23.5	31.5	23.5	31.5	23.5	31.5	23.5	31.5	23.5
impulse / AC		impulse / AC		AC		AC		AC		AC	
AC		AC		AC		AC		AC		AC	
7.9		7.9		7.9		7.9		7.9		7.9	
2,900	200	2,900	200	2,900	200	2,900	200	2,900	200	2,900	200
71		71		75		75		75		75	

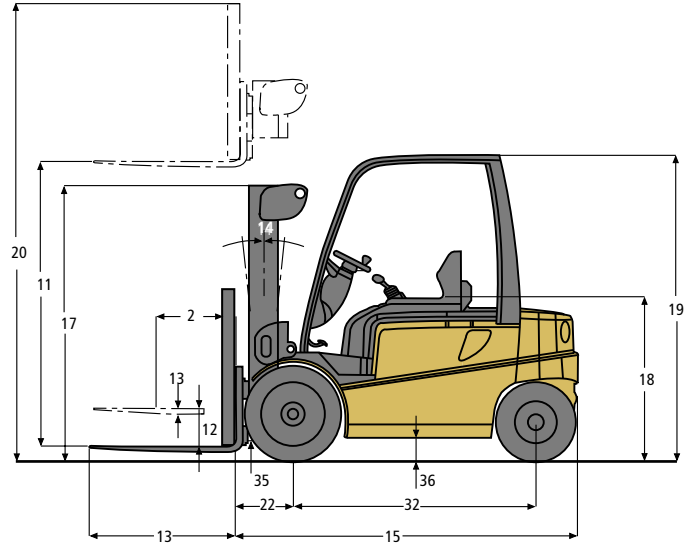
NOTE: These specifications assume the use of drive axles, tires and tilt angles specified. Any modification to specifications, or any other combination of specifications made after the shipment of the truck, requires prior written approval from Mitsubishi Caterpillar Forklift America Inc. (MCFA). (See ANSI/ITSDF B56.1.) Also be advised that overall operating visibility may be affected by the mast configuration and mast options of your forklift truck. Therefore, you may need to add ancillary [auxiliary] devices or modify your operating practices. Consult your dealer for further information.

Call-out numbers shown in diagram correspond to the first column of the specifications chart.

**EPC5000-EP6000**



**EP7000-EP10000**



## Safety Standards

These trucks meet American National Standards Institute/ Industrial Truck Standards Development Foundation, ANSI/ITSDF B56.1. Users should be aware of, and adhere to, applicable codes and regulations regarding operator training, use, operation and maintenance of powered industrial trucks, including:

- ANSI/ITSDF B56.1.
- NFPA 505, fire safety standard for powered industrial trucks - type designations, areas of use, maintenance, and operation.
- Occupational Safety and Health Administration (OSHA) regulations that may apply.

Specifications, equipment, technical data, photos and illustrations based on information at time of printing and subject to change without notice. Some products may be shown with optional equipment.



## Enhance Your Experience

The EPC5000-EP6000 and EP7000-EP10000 Series lift trucks provide a number of options for you to choose from based on your application needs.



### High-Performance Package

Available on the EPC5000 and EP5000, this package includes a 14.5 KW drive motor and a 23.5 KW lift motor, helping provide increased productivity in a variety of applications.

### Operator Cab

Provides operators with weather protection and a comfortable working environment in outdoor or cold storage conditions.

### Light Packages

Customize the truck based on the workplace lighting conditions and the tasks being performed.

### Cold Storage Modification

Equip the lift truck with special fluids and heaters needed to perform in cold storage environments.



### Non-marking Solid Pneumatic Tires

A perfect choice for food or clean room environments or any application where tire marks on the floor are a concern.

### Travel Speed Reduction

Limit the lift truck top travel speed based on the workplace preferences and relevant regulatory guidelines.



**Quality**

**Reliability**

**Customer Service**

Experienced professionals at your local dealership and on our National Accounts Team can assist you with your lift truck purchase or lease. Your Cat lift truck dealer can provide options and additional visual and audible warning devices geared toward your specific requirements. Operator training programs are also available to boost productivity and to help reduce the potential for product damage and personal injury.



## Electric Pneumatic Tire Lift Trucks

Capacity: 5,000-10,000 lb

**1-800-CAT-LIFT | [www.cat-lift.com](http://www.cat-lift.com)**

Copyright © 2011 by MCFE. All rights reserved. CAT, CATERPILLAR, their respective logos, "Caterpillar Yellow" and the "Power Edge" trade dress, as well as corporate and product identity used herein, are trademarks of Caterpillar and may not be used without permission. All registered trademarks are the property of their respective owners. Some products may be shown with optional equipment. Printed in U.S.A.

CECM0022-01

07/11

**CAT**® Lift Trucks