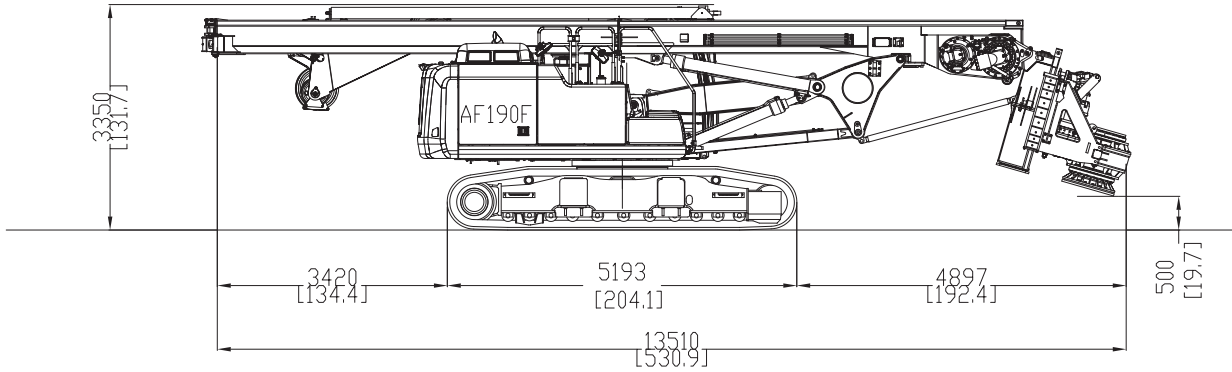




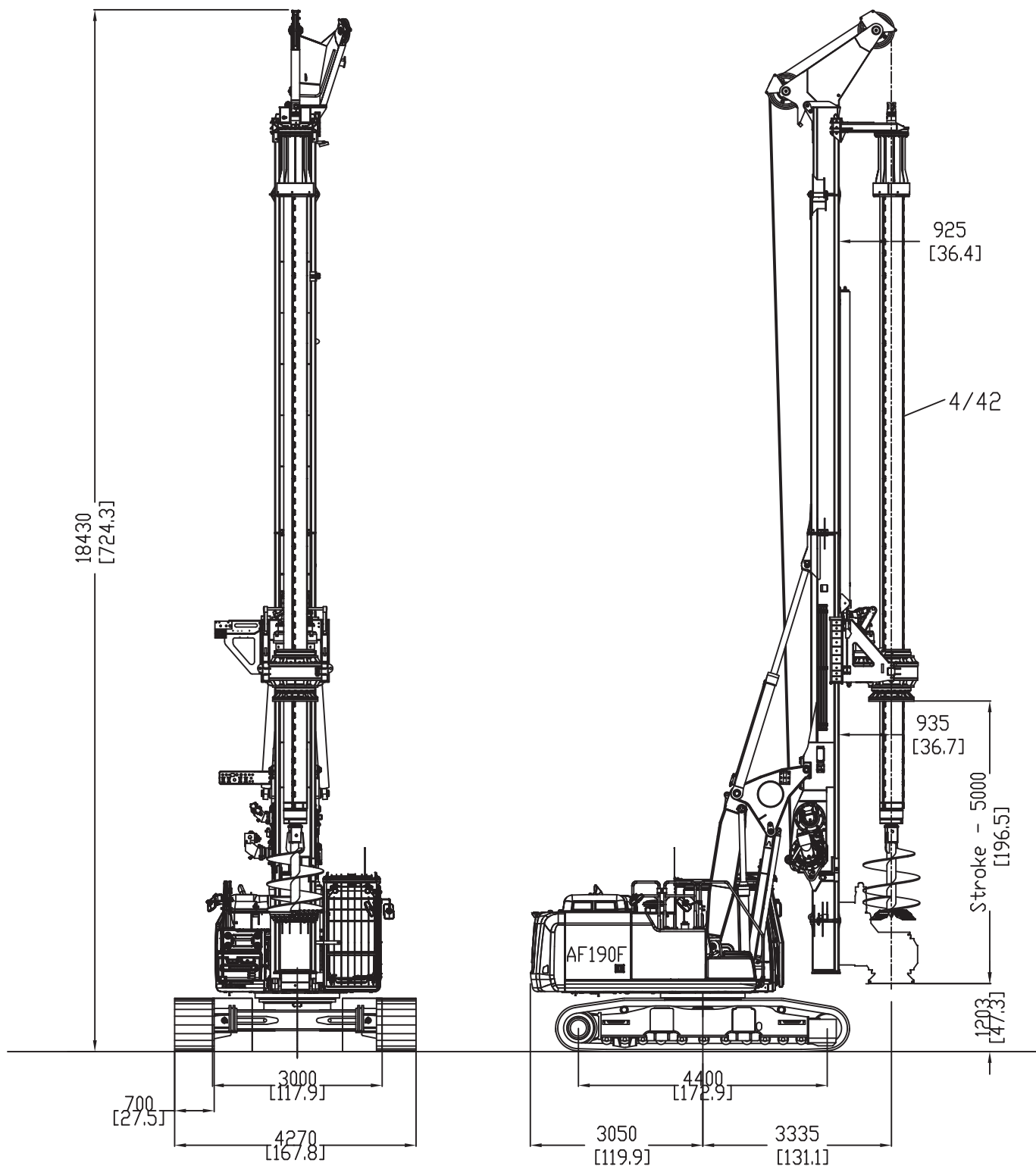
# AF 190F

## Powered by CAT



<b>Base</b>		<b>Caterpillar 330F</b>
Undercarriage length / widening range / shoe	mm	CAT 5193/3000 - 4270/700
	in	204,4/118 - 168/27,5
Engine type		CAT C 7.1 TIER IV F
Power		178 kW (239 HP) @1750 rpm
<b>Rotary</b>		
Nominal torque	kNm	205
	lbf ft	151205
Working speed	rpm	7 - 27
Discharge speed	rpm	40 - 110
<b>Winches</b>		
Main winch pull force	kN	200
	lbf	44965
Main winch speed	m/min	85
	ft/min	279
Main winch Cable diameter	mm	26
	in	/
Auxiliary winch pull force	kN	80
	lbf	17985
Auxiliary winch Speed	m/min	85
	ft/min	279
Auxiliary winch Cable diameter	mm	18
	in	/
<b>Crowd system</b>		
Kelly crowd push	kN	180
	lbf	40470
Kelly crowd pull	kN	200
	lbf	44965
Stroke	mm	5000
	in	197
<b>Mast</b>		
Mast raking forward		5°
Mast side raking		+ 8°
Mast raking backwards		15°
Pile max. diameter	mm	1800
	in	71
<b>Kelly bar</b>		
Standard		4/42
Options available		4/46 - 4/48 - 5/60
Operating Weight w/standard kelly bar	t (metric)	55
	lbs	121254

# Measurements in working phase



Via d'Ancona, 39 - 60027 Osimo (An) - Italy  
 Tel. + 39 071 723341 r.a. - Fax + 39 071 7133352  
 www.imtspa.com - imt@imtspa.com

*All technical data are purely indicative and subject to change without notice.*