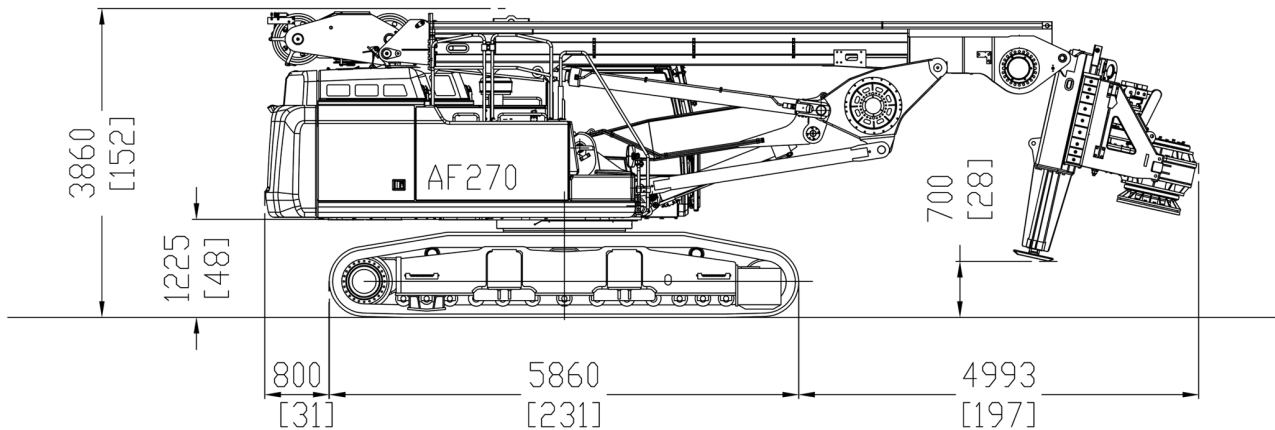


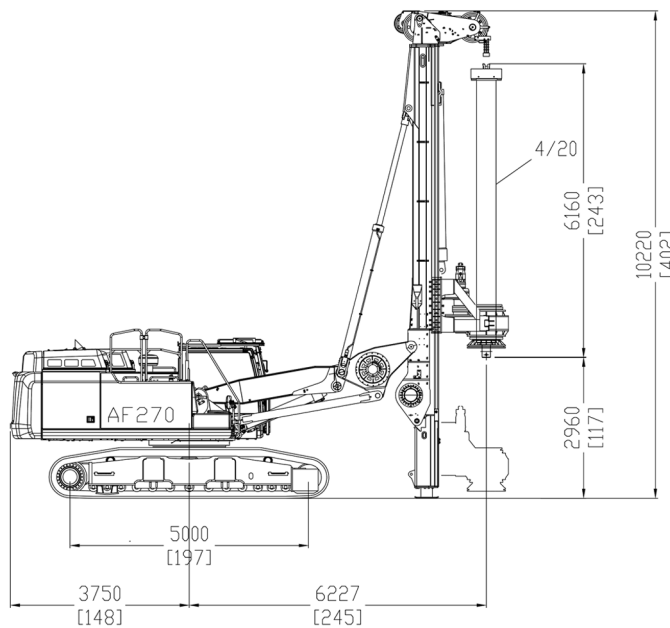
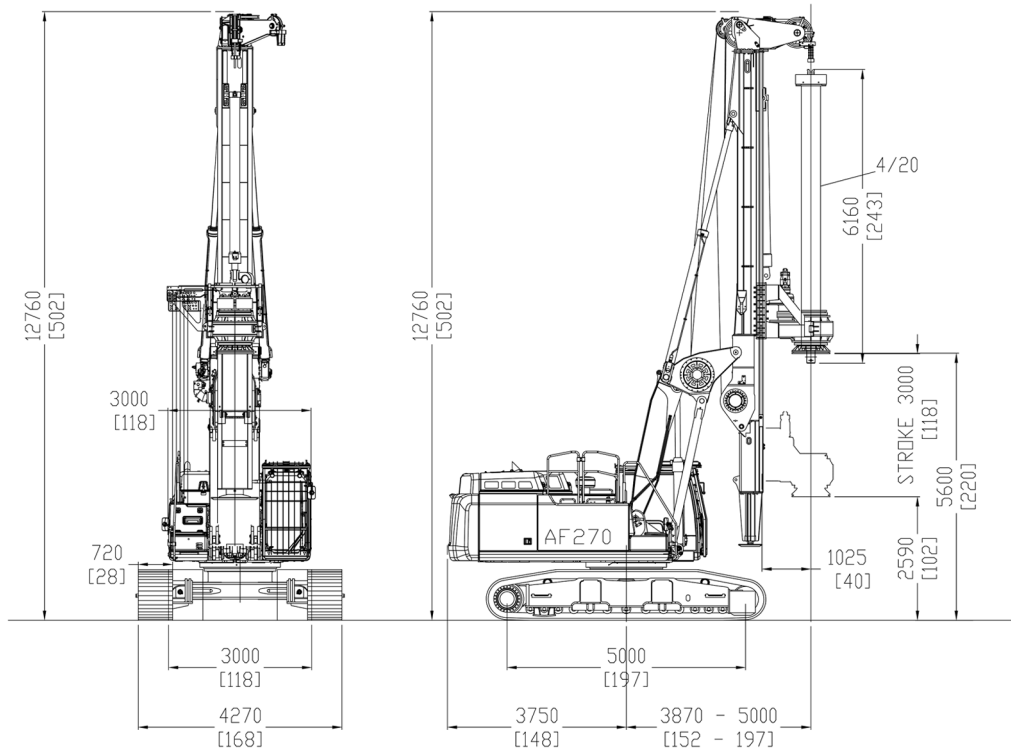


AF 270E LCA



Base		Caterpillar 349E
Undercarriage length / widening range / shoe	mm	5860/3000 - 4270/720
	in	230,7/118 - 168/28,3
Engine type		CAT C13 Acert Tier4
Power	Kw	322 KW (432HP) @ 1800rpm
Rotary		
Installed torque	kNm	275
	lbf ft	202830
Working speed	rpm	8 - 30
Discharge speed	rpm	48 - 115
Winches		
Main winch pull force	kN	250
	lbf	56205
Main winch speed	m/min	73
	ft/min	240
Main winch Cable diameter	mm	28
	in	/
Auxiliary winch pull force	kN	120
	lbf	26980
Auxiliary winch Speed diameter	m/min	80
	ft/min	262
Auxiliary winch Cable diameter	mm	22
	in	/
Crowd system		
Kelly crowd push	kN	300
Kelly crowd pull	lbf	67445
	kN	390
Stroke	lbf	87680
	mm	3000
	in	118
Mast		
Mast raking forward		5°
Mast side raking		±8°
Mast raking backwards		15°
Pile max. diameter	mm	2000
	in	79
Kelly bar		
Standard		4/20
Options available		4/17 - 5/33
Operating Weight w/standard kelly bar	t (metric)	73,4
	lbs	161818

Measurements in working phase



IMT
INTERNATIONAL

Legal Headquarters:

Via Gaspare Spontini, 22 - 00198 Roma Italy

Offices and Plant:

Via d'Ancona, 39 - 60027 Osimo (An) - Italy

Tel. + 39 071 723341 r.a. - Fax + 39 071 7133352

www.imtspa.com - imt@imtspa.com

All technical data are purely indicative and subject to change without notice.