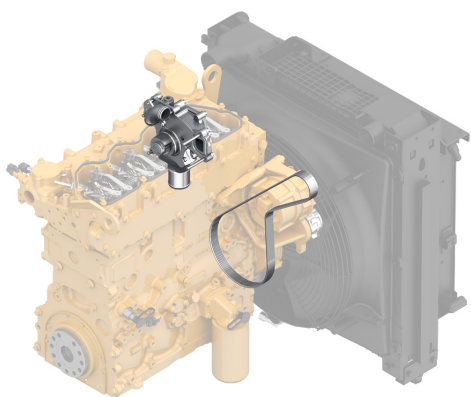


# Customer Repair Solutions

## 416D/E/F Backhoe Loader Fuel System Tune-Up Kit

Maintaining optimal engine performance is critical to your machine's overall operation. Contaminated fuel can create injector issues that can burn up to 12 percent more fuel. But with good maintenance to your fuel system, you can prevent lost fuel savings and lower your operating costs by as much as 10 percent through increased performance and economy.

Our Fuel System Tune-Up kit is a comprehensive repair package with everything you need to perform the repair yourself. From warning signs to look for to step-by-step repair instructions, we have you covered.



### Warning signs

Watch for these common repair indicators

- >> Malfunctioning Fuel Injectors
- >> Lack of Power
- >> Unusual Noises
- >> Low Fuel Pressure
- >> White Smoke on Start-Up (Unburned fuel)
- >> Increased Fuel Consumption



## Elements of the Cooling System Tune-Up Kit

### Customizable Parts List

- >> Water temperature regulator
- >> Water pump
- >> Switch and Sensor Temperature
- >> Gaskets
- >> Belts
- >> Air filter primary
- >> Air filter indicator
- >> Coolant ELC

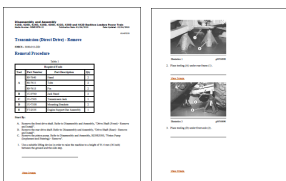
### Recommended Tools

- >> Belt Tension Gauge
- >> Funnel Kit
- >> Filter Wrench
- >> Filter Cutter
- >> Sealant

### Additional Options

- >> Replacement Hoses
- >> Replacement Belt Tensioner
- >> Replacement Radiator and Hydraulic Oil Cooler Group
- >> Replacement Engine Oil Cooler

### Repair Instructions



**TECHNICAL ADVICE?**

**DEALER CONTACT INFO**

For more information, visit [www.cat.com/repairoptions](http://www.cat.com/repairoptions)

**BUILT FOR IT.**

[www.cat.com](http://www.cat.com)

© 2017 Caterpillar • All Rights Reserved • Printed in USA  
CAT, CATERPILLAR, BUILT FOR IT, their respective logos, "Caterpillar Yellow," the "Power Edge" trade dress as well as corporate and product identity used herein, are trademarks of Caterpillar and may not be used without permission.

