

Grooming Mowers,

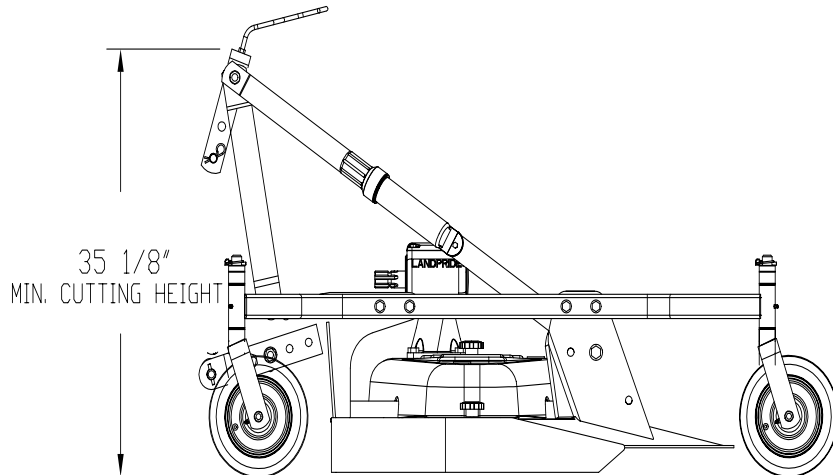
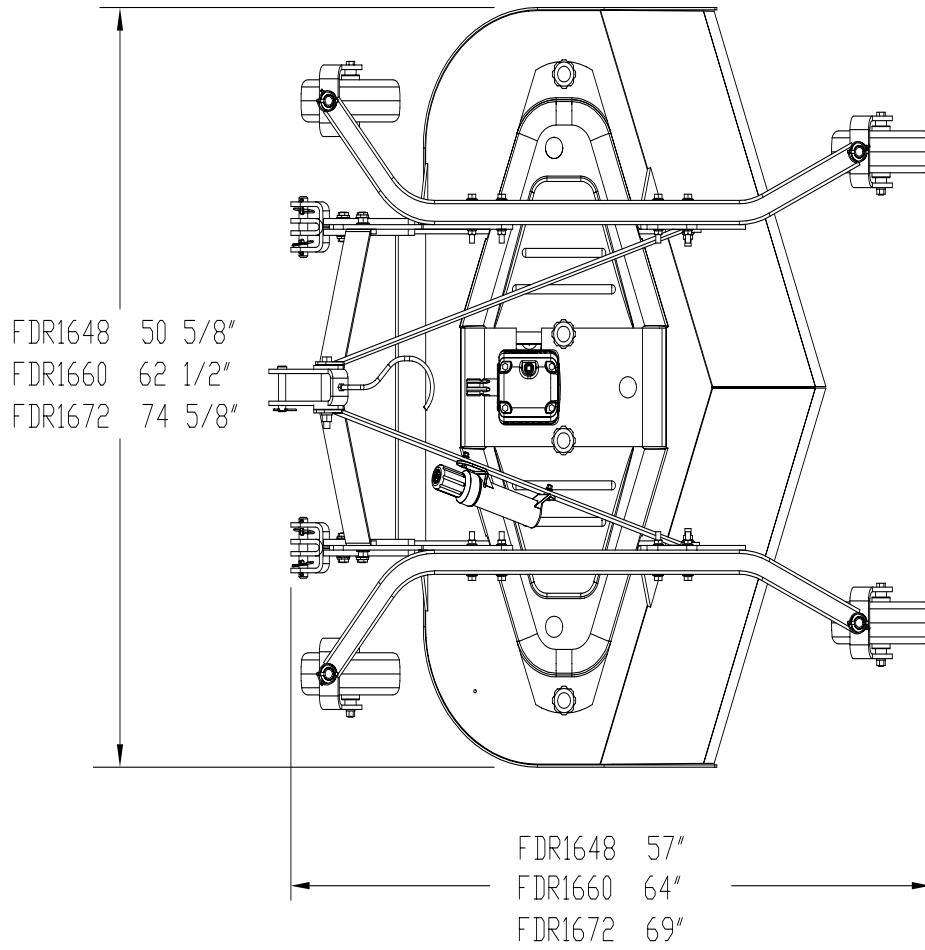
FDR16 Series (Rear Discharge)

	FDR1648	FDR1660	FDR1672
Maximum HP - Engine	30 HP		
Cutting Width	48"	60"	72"
Overall Width	50 5/8"	62 1/2"	74 5/8"
Height	35 1/8"	35 1/8"	35 1/8"
Length	57"	64"	69"
Weight	486#	577#	619#
Cutting Height (1/2" increments)	3/4" - 5 1/4"		
Deck Material Thickness	3/16"		
Blade Tip Speed	16,203 FPM	18,195 FPM	18,130 FPM
Blade Construction -3 ea.	1/4" x 2 1/2" x 16 7/8" Heat Treated Alloy Steel	1/4" x 2 1/2" x 21" Heat Treated Alloy Steel	1/4" x 2 1/2" x 25" Heat Treated Alloy Steel
Blade Options	Standard Blades: Medium Lift Optional Blades: Low Lift, High Lift & Mulching		
Blade Overlap	1 1/4"		
Blade Spindles	1 3/8" dia., Cast Iron Greasable Hubs		
Discharge	Rear		
Hitch	Category I		
Lower Hitch	Floating Clevis with Plated Pins		
Top Link	Floating Clevis		
Castered Gauge Wheels	3 1/4" x 10" Solid Rubber		
Caster Wheel Spindle	1" Diameter with Nylon Bushing		
Drive Train	540 RPM PTO Cast Iron Housing Gearbox With Beveled Gears, 1:2.83 Ratio Spring Loaded Single V-Belt		
Driveline	Heavy-Duty w/quick coupler, ASAE Cat 2		
Front Roller	Optional		
Quick Hitch Compatible	No	Yes	Yes

Designs, specifications, features and information are subject to change without notice.

Specifications & Capacities

Grooming Mowers,



26965

Designs, specifications, features and information are subject to change without notice.