

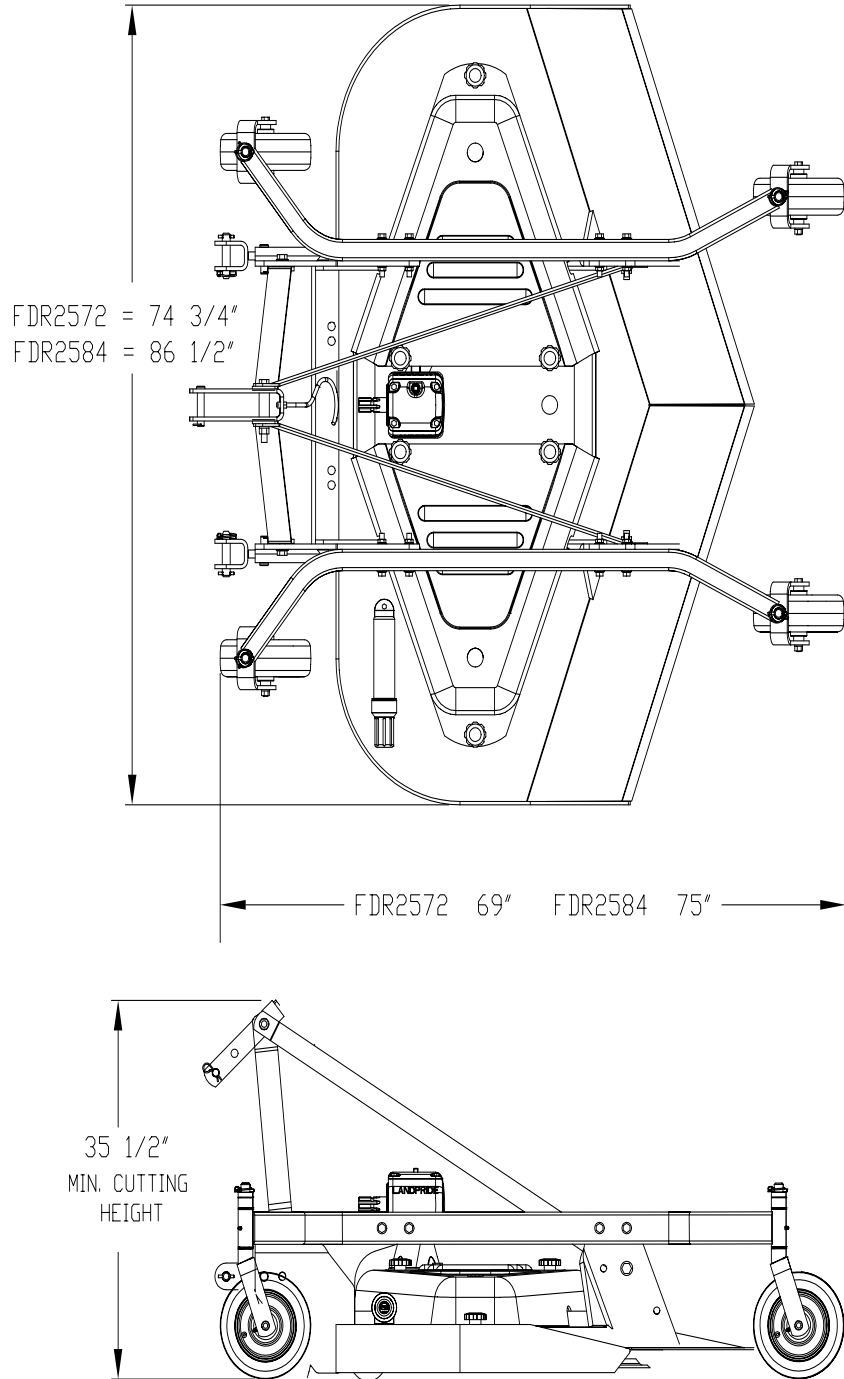
Grooming Mowers,

| FDR25 Series (Rear Discharge) | | |
|-----------------------------------------|----------------------------------------------------------------------------------------------------------|----------------------------------------------|
| | FDR2572 | FDR2584 |
| Maximum HP - Engine | 50 HP | |
| Cutting Width | 72" | 84" |
| Overall Width | 74 3/4" | 86 1/2" |
| Height | 35 1/2" | |
| Length | 69" | 75" |
| Weight | 718# | 812# |
| Cutting Height (1/2" increments) | 3/4" - 5 1/4" | |
| Deck Material Thickness | 3/16" | |
| Blade Tip Speed | 18,130 FPM | 17,210 FPM |
| Blades Construction -3es | 1/4" x 2 1/2" x 25" Heat Treated Alloy Steel | 1/4" x 2 1/2" x 29" Heat Treated Alloy Steel |
| Blade Options | Standard Blades: Medium Lift Optional Blades: Low Lift, High Lift & Mulching | |
| Blade Overlap | 1 1/4" | |
| Blade Spindles | Greasable | |
| Discharge | Rear | |
| Hitch | Category 1 | |
| Lower Hitch | Floating & Adjustable Clevis with Plated Pins | |
| Top Link | Floating & Adjustable Clevis | |
| Castered Gauge Wheels | 3 1/4" x 10" Solid Rubber | 4" x 11" Semi Solid |
| Caster Wheel Spindle | 1" Diameter with Greasable Bushing | |
| Drive Train | 540 RPM PTO Cast Iron Housing Gearbox With Beveled Gears, 1:2.83 Ratio Spring Loaded Single V-Belt | |
| Driveline | Heavy-duty w/ quick coupler | |
| Front Roller | Optional | |
| Quick Hitch Compatible | Fits Land Pride Quick-Hitch | |

Designs, specifications, features and information are subject to change without notice.

Specifications & Capacities

Grooming Mowers,



26761

Designs, specifications, features and information are subject to change without notice.