

236B/246B/ 248B

Skid Steer Loaders



	236B		246B		248B	
Engine	Cat [®] 3044C DIT		Cat [®] 3044C DIT		Cat [®] 3044C DIT	
Engine Model	Cat [®] 3044C DIT		Cat [®] 3044C DIT		Cat [®] 3044C DIT	
Net Flywheel Power	52 kW	70 hp	58 kW	78 hp	57 kW	76 hp
Gross Power	54 kW	73 hp	61 kW	82 hp	61 kW	82 hp
Weights	3178 kg 7007 lb		3239 kg 7142 lb		3320 kg 7321 lb	
Operating Weight	3178 kg	7007 lb	3239 kg	7142 lb	3320 kg	7321 lb
Operating Specifications	793 kg 1750 lb		907 kg 2000 lb		907 kg 2000 lb	
Rated Operating Capacity	793 kg	1750 lb	907 kg	2000 lb	907 kg	2000 lb

236B/246B/248B Skid Steer Loaders

Designed, built and backed by Caterpillar® to deliver exceptional performance and versatility, ease of operation, serviceability and customer support.

Operator Station

Operator comfort and ease of operation are designed into the operator's station from every aspect, including ergonomic features such as low-effort joystick controls and an adjustable contoured seat. **pg. 4**

High Performance Power Train

The Cat 3044C DIT engine provides high engine horsepower and torque, allowing part-throttle operation for lower sound levels and lower fuel consumption. Anti-stall feature maximizes power to the drive train and work tools without stalling the engine. **pg. 6**

Quick Coupler and Cat Work Tools

A universal work tool interface and quick coupler help make the Cat Skid Steer Loader the most versatile machine on the job site. Add the wide range of performance-matched Cat Work Tools for maximum utility and production. **pg. 7**

The Caterpillar Skid Steer Loader, with its many work tool options, is a highly versatile, compact construction machine. It is designed to deliver traditional Cat reliability and productivity in the toughest working conditions.



Advanced Hydraulic System

The hydraulic system in the Cat Skid Steer Loader is designed for maximum power and reliability. More hydraulic power means better overall performance. Fewer components mean fewer hydraulic connections and reduced chance of leaks. **pg. 8**

Serviceability

The Cat Skid Steer Loader offers quick and easy routine maintenance and service. The rear door opens 90 degrees and the cooling package tilts up out of the way for unparalleled access to the engine compartment. The cab also tilts up for easy access. **pg. 9**

Customer Support

Caterpillar dealers offer unmatched customer support, with excellent warranty programs and fast parts availability, resulting in maximum uptime and minimum repair costs. Equipment maintenance services help optimize machine performance and reliability. **pg. 10**



Operator Station

World-class operator station provides exceptional working comfort with excellent visibility, enhanced fingertip control and optimum instrumentation.



Operator Station

Low Effort Machine Controls.

Ergonomic, pilot hydraulic controls give operators precision control of the Cat Skid Steer Loader with minimal effort. The right joystick controls loader up/down and tilt control and the left joystick controls forward and reverse travel speed plus direction. Both joysticks use an intuitive “S” control pattern. Optional deluxe joysticks now provide more auxiliary controls than before, using positive-action buttons to provide

precision fingertip control of many machine functions, including:

- Proportional work tool hydraulics
- Work tool electrical

Basic and Deluxe joystick functions include:

- One-touch continuous auxiliary hydraulic flow
- Momentary auxiliary hydraulic flow

Cab Conveniences. Long hours in the Cat Skid Steer Loader are made easier by many standard conveniences, including a 12 volt DC power socket. Side, sliding windows offer protection from the elements and allow fresh air ventilation. Redesigned side windows are removable for easy cleaning. Cabs with the door option installed feature a new, automatic lock-out switch that prevents accidental damage by disabling the loader functions when the door is open.

High-Efficiency Climate Controls.

Operating in extreme temperatures can be more comfortable with the optional cab air conditioner and heater. Airflow is increased up to 83 percent and is now directed through six adjustable vents. Twice as many vents make defrosting the optional front door and side windows easier. The heater and air conditioner can be ordered separately or together.

Instrumentation. Cat Skid Steer Loader instrument panels and gauges are simple, easy to use and reliable. Bright indicator lights and audible warnings signal any critical system situation. Positive feel switches, with status lights, control most on/off functions. An engine air cleaner restriction indicator is now in the cab for easier monitoring.

Visibility. Operating ease and productivity is enhanced on the Cat Skid Steer Loader by excellent visibility. The wide cab opening offers an exceptional view of the work tool. The sloped angle of the engine compartment allows excellent visibility to the rear of the machine. A new, standard convex rearview mirror gives the operator a panoramic view of the machine's rear and sides. In addition, for better visibility in low-light conditions, the standard forward lights are now adjustable 10 degrees in any direction.

Access/Egress. The Cat Skid Steer Loader cab is designed to make machine operation simple, productive and comfortable. Getting in and out of the cab is easy through a wide opening with three point grab irons and skid-resistant steps. Tilt cylinders are neatly located under the lift arms so not to interfere with operator access and egress. Plenty of uncluttered floor space makes stepping into the cab even easier.

Cab Packages. Several cab packages and options are available. The standard cab offers features such as an adjustable contoured seat, cushioned armbar, dual throttle controls, pilot operated joysticks, 12 volt DC power socket and optional cup holder.



Excellent Visibility

High Performance Power Train

Caterpillar hystat power train delivers aggressive performance and easy operation.



Aggressive Performance

Cat Diesel Power. The heart of the Cat Skid Steer Loader power train is the Caterpillar 3044C DIT engine. This rugged, reliable four cylinder engine offers aggressive performance and a fast torque curve for quick response. It is also a low emission engine, fully U.S. EPA Tier 2 compliant.

Dual Engine Throttle Controls. The hand and foot throttles allow the operator to match engine speed to the task. The hand throttle is ideal for jobs requiring consistent engine speed — such as cold planing, trenching or snow blowing. The foot throttle lets the operator vary engine speed and minimize fuel consumption for other tasks such as load and carry, truck loading, grading and dozing.

Anti-Stall Feature. The anti-stall system on the Cat Skid Steer Loader allows maximum power to the wheels while minimizing engine stalling. This system helps maximize productivity for experienced operators and makes it easier for novice operators to become productive.

Variable Displacement Piston Pumps. The dual, variable-displacement, axial piston pumps are driven directly off the engine and provide hydraulic flow to the drive motors via a closed loop system. Drive motors transfer mechanical power to the wheels via two high-strength, pre-stressed chains per machine side. Chains run in an oil bath for constant lubrication and long life. Chains are adjustable through slots in the axle housings.

Drive Axles. The drive axles are forged and induction hardened for maximum life. They include a unique lip and outer seal to help prevent debris such as wire and twine from wrapping around the axle and destroying the seal. An inner seal is used for permanent lubrication of axle bearings so no daily axle service is required.

Quick Coupler and Cat Work Tools

Choose from a wide variety of tools that are performance-matched to the Cat Skid Steer Loader.



Optional Hydraulic Quick Coupler

Quick Coupler. Work tools can be changed quickly and easily with the Cat Skid Steer Loader's quick coupler system. The universal coupler interface features:

- Low profile side plate designed for optimum match to work tools and minimal material packing
- Opposing wedges ensure a tight tool fit, even after years of use
- Rugged design and large contact area absorbs loads and minimizes stress
- Vertical pins are chrome plated and lubricated for smooth engagement and prevention of corrosion
- Coupler allows excellent visibility to work tools and unobstructed entry and exit to the cab

The standard quick coupler features manual engagement and disengagement of work tools using two high leverage handles.

An optional hydraulic quick coupler is also available and allows engagement and disengagement of work tools without the operator needing to exit the machine. Control of the coupler by use of a rocker switch inside the cab makes work tool changes quicker and easier.



Cat H63 Hammer

Cat Work Tools. Cat Work Tools extend the versatility of the Cat Skid Steer Loader. Designed and built for optimum performance and durability, these tools deliver high productivity, long service life and excellent value:

- Angle Blades
- Augers
- Backhoes

- Brooms
- Buckets
 - Dirt
 - General purpose
 - Grapple
 - Light material
 - Multi purpose
 - Utility
- Cold planers
- Compactor, vibratory
- Hammers
- Landscape rakes
- Landscape tillers
- Material handling arm
- Pallet forks
- Snowblower
- Stump grinder
- Trenchers
- Wheel saw

Advanced Hydraulic System

Hydraulic system has built-in reliability and provides exceptional lift, breakout and auxiliary power to work tools.



Powerful Hydraulics

Power and Reliability. Maximum power and reliability are built into the Cat Skid Steer Loader hydraulic system. In addition to providing power to drive the wheels, this system also provides the loader lift and tilt functions, powers the auxiliary circuit to drive work tools and drives the engine cooling fan.

Hydraulic Pumps. The hydraulic pumps are driven directly off the engine for maximum hydraulic performance and reliability — no belts are used. Pumps are fixed-displacement and provide flow to the loader and auxiliary circuits at 81 L/min (22 gal/min) at high idle. Maximum system pressure for the loader and standard auxiliary circuits is 23 000 kPa (3335 psi) for the 236B and 246B. A load sensing, variable displacement piston pump provides flow and pressure for the 248B loader and auxiliary circuit at 125 L/min (33 gal/min) at high idle. Maximum system pressure for High Flow auxiliary circuit is 28 000 kPa (4060 psi). Control of the loader lift and tilt functions is by hydraulically-operated joystick controls for low effort and precise operation.

Auxiliary Hydraulics. Standard auxiliary hydraulics to power work tools are available through quick connect hydraulic couplings that are rigidly mounted to the loader arm. The Caterpillar line of high pressure XT™ ES hoses and O-ring face seals help ensure a leak-free system.

Reliability and Cleanliness. Hydraulic system reliability and cleanliness are improved by using single components in place of multiple components, such as the monoblock hydraulic valve and monoblock pumps. Fewer leak points improve reliability and result in a cleaner machine. In addition, hydraulic oil flows through a 5-micron spin-on filter. A filter restriction indicator is located in the operator station. A 74-micron screen in the hydraulic tank prevents larger debris from entering the system and causing damage to the hydraulic components.

Hydraulic Oil Cooler. A high-efficiency, hydraulic oil cooler lets the Cat Skid Steer Loader work longer and harder in higher ambient temperatures, even when using continuous high flow work tools. The high capacity, hydraulic oil reservoir also helps keep operating temperatures lower.

248B High Flow XPS. Maximum pressure can be maintained regardless of the work tool speed or conditions with this load sensing, pressure compensating system. Hydraulic power is maximized for any given load with a variable displacement, axial piston pump that allows high pressure at any given speed for high hydraulic power at low or high idle.

Serviceability

Quick access and superior design makes the Cat Skid Steer Loader easy to service and maintain.



Serviceability Access

Service Access. The rear door opens 90 degrees for easy access to both sides of the in-line (lengthwise) mounted engine.

Filters. All filters are easily accessible, which makes routine service quicker and virtually spill-free.

Cooling System. The radiator, hydraulic oil cooler and grill tilt up to increase access to the cooling system during maintenance and allow easier cleaning of debris from between the grill and cooling package. The cooling fan is hydraulically-driven for quieter operation and to eliminate the service and maintenance that comes with belt driven fans.

Easy Tilting Cab. The machine cab can now be tilted rearward by an individual using a single tool. The cab is held in place by a self-latching mechanism. When the cab is tilted back, all hydraulic pumps, motors, valves, lines and fuel tank are accessible for quicker, easier service.

Removable Belly Pan. A removable belly pan section on the floor of the machine's lower frame provides excellent access for periodic cleaning.

Electrical and Hydraulic Lines. Cleaner routing of electrical and hydraulic lines compared to former models improves reliability and simplifies service.

Maintenance Points. Maintenance points are grouped in easily accessible locations.

Caterpillar Scheduled Oil Sampling (S-O-SSM). The scheduled oil sampling valves are standard to allow regular monitoring of the engine and hydraulic oil quality.

Other Standard Service Features. The following help make servicing fast and easy:

- Easy access to battery, air filter and single engine belt
- Sight glasses on hydraulic tank and radiator allow quick, easy level checks
- Air filter restriction indicator now located inside the operator station
- Ecology drains simplify changing engine and hydraulic oil
- Grease fittings are countersunk to prevent damage
- Extended life coolant and 500-hour engine oil change intervals

Customer Support

Cat dealer services help you operate longer with lower costs.



Worldwide Parts Availability

Machine Selection. With 10 different Cat Skid Steer Loaders to choose from, selecting the right machine is even easier when you consult your Caterpillar dealer. Your dealer helps you make detailed machine comparisons before you purchase.

You can also build the machine that is right for you. Go on-line anytime to review the full range of features and options available using the Build and Quote application on your Cat dealer's website or www.Cat.com.

Purchase Options. Purchase options let you look beyond just the initial machine price. With your Cat dealer, you can review available financing options plus look at day-to-day operating costs. You can also look at dealer services that can be included in the cost of the machine to yield lower equipment owning and operating costs over the life of the machine.

Customer Support Agreements. Customer Support Agreements offer you a variety of service and maintenance options that can be customized to best fit your specific needs. These can cover the entire machine and include work tools to help protect your investment.

Machine Support. Machine support is one of your Cat dealer's primary goals. Nearly all parts are available at your Cat dealer. If not, your dealer can use the Caterpillar worldwide computer network to find the closest in-stock parts to minimize machine downtime. Your Cat dealer can also save you money by suggesting Cat Remanufactured parts that carry the same warranty as new, but with savings of 40 to 70 percent.

Service Plans. Maintenance Service Plans help you manage machine maintenance. Choose from a wide range of maintenance plans and services at the time you purchase a machine. Repair option plans guarantee the cost of repairs up front. Diagnostics programs such as Scheduled Oil Sampling, Coolant Sampling and Technical Analysis help you avoid downtime and unscheduled repairs.

Training. Operator training by Cat dealers can improve your operator's techniques and help boost your profits. Your Cat dealer also has training video tapes, literature, application and equipment training courses, plus other ideas to help you maximize your machine investment.

Security Systems. Cat machine security systems help you manage your Cat Skid Steer Loader. This dealer-installed option provides control of machine access by untrained operators or unauthorized personnel. Use up to 50 unique key ID's to customize machine access to fit your needs. You can program this system to allow access only during certain hours or days.

Repair, Rebuild or Replace. The repair, rebuild or replace choices become even more evident when you consult your Caterpillar dealer. Your Cat dealer can help evaluate the costs involved so you can make the right decision every time.

Engine

Engine Model	Cat 3044C DIT	
Gross Power SAE J1995		
- 236B	54 kW	73 hp
- 246B/248B	61 kW	82 hp
Engine Power ISO 14396		
- 236B	53 kW	71 hp
- 246B/248B	60 kW	80 hp
Net Power 80/1269/EEC		
- 236B	53 kW	71 hp
- 246B	59 kW	78 hp
- 248B	57 kW	77 hp
Net Power ISO 9249		
- 236B	53 kW	71 hp
- 246B	59 kW	78 hp
- 248B	57 kW	77 hp
Net Power SAE 1349		
- 236B	52 kW	70 hp
- 246B	58 kW	78 hp
- 248B	57 kW	76 hp
Displacement		
- 236B/246B/248B	3.3 L	201 in ³
Stroke		
- 236B/246B/248B	120 mm	4.7 in
Bore		
- 236B/246B/248B	94 mm	3.7 in

Weights

Operating Weight		
- 236B	3178 kg	7007 lb
- 246B	3239 kg	7142 lb
- 248B	3320 kg	7321 lb

Operating Specifications

Rated Operating Capacity		
- 236B	793 kg	1750 lb
- 246B/248B	907 kg	2000 lb
Rated Operating Capacity w/Optional Counterweight		
- 236B	815 kg	1850 lb
- 246B/248B	952 kg	2100 lb
Tipping Load		
- 236B	1586 kg	3500 lb
- 246B/248B	1814 kg	4000 lb
Breakout Force, Tilt Cylinder		
- 236B/246B/248B	2487 kg	5484 lb
Breakout Force, Lift Cylinder		
- 236B/246B	2112 kg	4657 lb
- 248B	2083 kg	4593 lb

Dimensions shown are based on standard machine equipped with optional 12 × 16.5 PR tires and 1676 mm (66 in) Dirt Bucket. The specifications for the Cat 236B/246B/248B are static and conform to SAE J732 JUN 92, SAE J818 MAY87 and ISO 5998:1986.

Hydraulic System

Hydraulic Flow

- 236B/246B	Standard
- 248B	High Flow XPS

Loader Hydraulic Pressure

- 236B/246B	23 000 kPa	3335 psi
- 248B	28 000 kPa	4060 psi

Loader Hydraulic Flow

- 236B/246B	83 L/min	22 gal/min
- 248B	125 L/min	33 gal/min

Hydraulic Power

- 236B/246B	31.9 kW	42.8 hp
- 248B	58.3 kW	78.3 hp

Cab

ROPS

- 236B/246B/248B	SAE J1040 MAY94 and ISO 3471:1994
------------------	-----------------------------------

FOPS

- 236B/246B/248B	SAEJ/ISO 3449 APR98 Level I and ISO 3449:1992 Level 1
------------------	---

FOPS Level II

- 236B/246B/248B	SAEJ/ISO 3449 APR 98 Level II and ISO 3449:1992 Level II (optional)
------------------	---

Power Train

Travel Speed

- 236B	12.2 kph	7.6 mph
- 246B/248B	12.5 kph	7.7 mph

Travel Speed Reverse

- 236B	12.2 kph	7.6 mph
- 246B	12.5 kph	7.7 mph
- 248B	12.5 kph	7.7 mph

2-Speed Option

- 236B	18.6 kph	11.6 mph
- 246B/248B	19.1 kph	11.8 mph

Service Refill Capacities

Chain box, each side

- 236B/246B/248B	7 L	1.8 gal
------------------	-----	---------

Cooling System

- 236B/246B/248B	10 L	2.6 gal
------------------	------	---------

Engine Crankcase

- 236B/246B/248B	10 L	2.6 gal
------------------	------	---------

Fuel Tank

- 236B/246B/248B	90 L	23.8 gal
------------------	------	----------

Hydraulic System

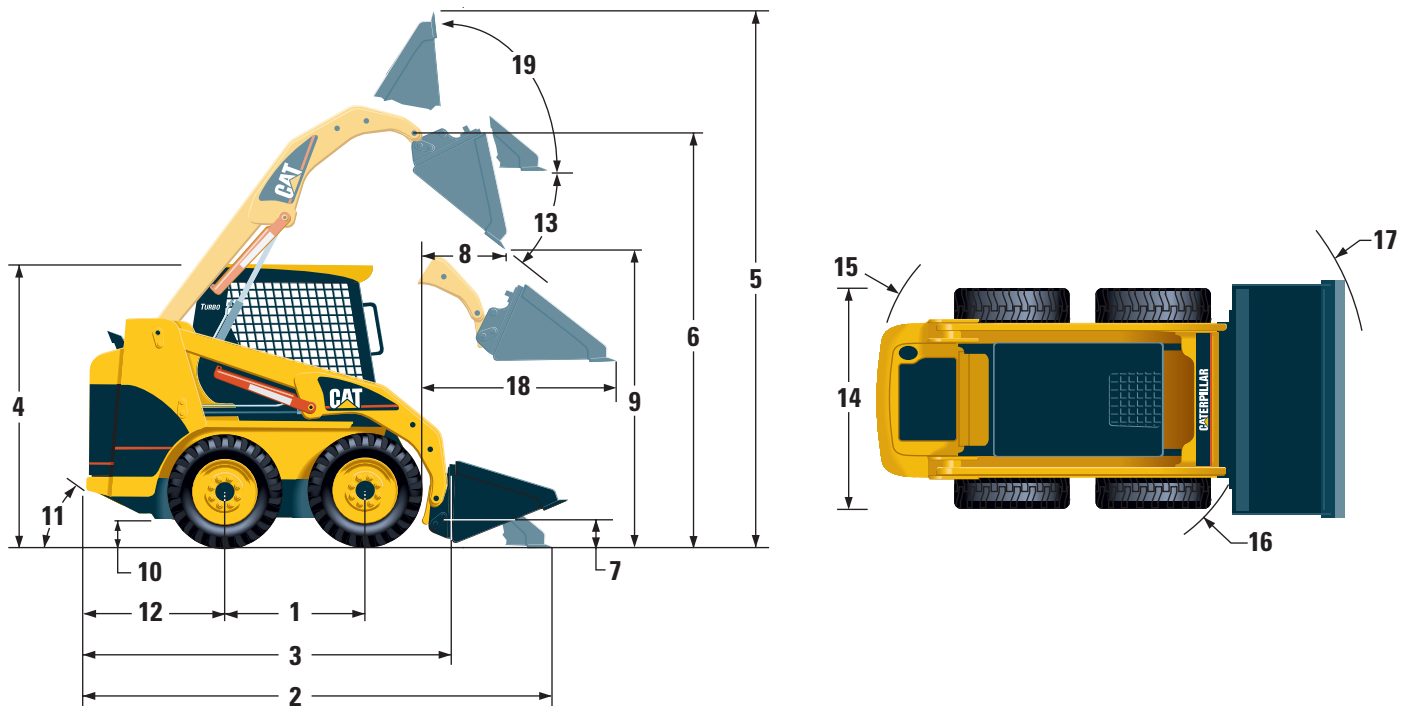
- 236B/246B/248B	52 L	13.7 gal
------------------	------	----------

Hydraulic Tank

- 236B/246B/248B	35 L	9.2 gal
------------------	------	---------

Dimensions

All dimensions are approximate.



1	Wheelbase	1134 mm	45 in
2	Length w/Bucket on ground	3515 mm	138 in
3	Length w/o Bucket	2800 mm	110 in
4	Height to top of Cab	2092 mm	82 in
5	Max Overall Height	3965 mm	156 in
6	Hinge Pin Height at max lift	3099 mm	122 in
7	Hinge Pin Height at carry position	257 mm	10 in
8	Reach at max lift and dump	541 mm	21 in
9	Clearance at max lift and dump	2398 mm	94 in
10	Ground Clearance	235 mm	9.3 in
11	Departure Angle	28°	
12	Bumper Overhang behind rear axle	1038 mm	41 in

13	Maximum Dump Angle	40°	
14	Vehicle Width over tires	1676 mm	66 in
15	Turning Radius from center — left	1623 mm	64 in
16	Turning Radius from center — right	1318 mm	52 in
17	Turning Radius from center — full	2097 mm	83 in
18	Max Reach w/Arms Parallel to ground	1357 mm	53 in
19	Rack Back Angle at max height	97.4°	

Standard Equipment

Standard equipment may vary. Consult your Caterpillar dealer for specifics.

CONTROLS

- Pilot Operated Implement Control, RH
- Pilot Operated Hydrostatic Transmission Control, LH
- Hand and Foot Throttle

ELECTRICAL

- 12 volt Electrical System
- 90 ampere Alternator
- Ignition Key Start/Stop Switch
- Lights:
 - Gauge Backlighting
 - Two Rear Tail Lights
 - Two Adjustable Front Halogen Lights
 - Dome Light

OPERATOR ENVIRONMENT

- Gauges:
 - Fuel Level
 - Hour Meter
- Operator Warning System Indicators:
 - Air Filter Restriction
 - Alternator Output
 - Armrest Raised/Operator Out of Seat
 - Engine Coolant Temperature
 - Engine Oil Pressure
 - Glow Plug Activation
 - Hydraulic Filter Restriction
 - Hydraulic Oil Temperature
 - Park Brake Engaged
- Adjustable Vinyl Seat
- Pull Down Ergonomic Contoured Armrest
 - Control Interlock System, when operator leaves seat or armrest raised:
 - Hydraulic System Disables
 - Hydrostatic Transmission Disables
 - Parking Brake Engages
- ROPS Cab, Open, Tilt Up
- FOPS, Level I
- Top and Rear Windows
- Interior Rear View Mirror
- 12 volt Electric Socket
- Work Tool Electrical Control (248B only)
- Horn (248B only)

POWER TRAIN

- Caterpillar 3044C DIT Diesel Engine
 - Drain, Engine Oil Ecology
 - Fuel Priming Pump
 - Glow Plugs Starting Aid
 - Liquid Cooled, Direct Injection
- Air Cleaner, Dual Element, Radial Seal
- S•O•SSM Sampling Valves, Engine Oil and Hydraulic Oil Filter, Spin on, Hydraulic
- Filter, Bayonet-Type, Fuel and Water Separator
- Tilt Up Radiator/Hydraulic Oil Cooler
- Muffler, Standard
- Spring Applied, Hydraulically Released, Wet Multi Disc Parking Brakes
- Hydrostatic Transmission
- Four Wheel Chain Drive

OTHER STANDARD EQUIPMENT

- Engine Enclosure — Lockable
- Extended Life Antifreeze, -36° C (-33° F)
- Machine Tie Down Points (4)
- Coupler, Mechanical
- Support, Lift Arm
- Hydraulic Oil Level Sight Gauge
- Radiator Coolant Level Sight Gauge
- Radiator Expansion Bottle
- XTTM Hose
- Auxiliary, Hydraulics, Continuous Flow
- Auxiliary, Hydraulics, Proportional High Flow
 - XPS Hydraulics w/case drain (248B only)
- Heavy Duty Flat Faced Quick Disconnects
- Split D-Ring to route Work Tool hoses along side left lift arm
- Electrical Outlet, Beacon
- Belly Pan Cleanout
- 125 L/min (33 gal/min) Variable-Displacement, Load Sensing Hydraulic Pump (248B only)

Optional Equipment

Alarm, Backup
Battery, Heavy Duty, 880 CCA
Belt, Seat, 75 mm (3 in), for Static Seat
Belt, Seat, 75 mm (3 in), for Suspension Seat
Control Groups,
 Horn
 Work Tool Electrical (C1/C2 Switch)
 Proportional
 2-Speed
Counterweight, increases rated operating capacity
 45 kg (100 lb)
Debris Barrier
Door, Front, Safety Glass with Wiper-Washer
Door, Front, Polycarbonate with Wiper-Washer
 (for Demolition use)
Dedicated Dual Directional Controls (236B/246B only)
Floormat, Deluxe
FOPS, Level II (Attaches to existing FOPS)
Headliner
Heater and Defroster
 Air Conditioning, Heater, Defrost
Engine, Coolant Heater
Hydraulics, Auxiliary, Front, Proportional
Hydraulics, Self-Leveling
Hydraulic Quick Coupler
Lifting Eye, Single Point

Lifting Eyes, Four Point
Lights, Warning Beacon
Lights, Rear Working
Oil, Hydraulic, Cold Climate
Seat, Suspension
Rear Auxiliary Hydraulics (236B/246B only)
Window, Side, Sliding
Tires:
 1676 mm (66 in) Width
 8 × 16, Cat Solid
 12 × 16.5 10 PR Cat
 305-546, 10 PR Cat, LSW
 12 × 16.5 10 PR GY SGL (236B/246B only)
 12 × 16.5 10 PR GY IT323
 12 × 16.5 12 PR Michelin
 12 × 16.5 10 PR Galaxy
 1830 mm (72 in) Width
 12 × 16.5 10 PR Cat, PF
 305-546, 10 PR CAT, LSW
 12 × 16.5 10 PR GY SGL (236B/246B only)
 12 × 16.5 10 PR GY IT323
 12 × 16.5 10 PR Galaxy
 33-15.5 × 16.5 12 PR Cat (236B/246B only)
 12 × 16.5 12 PR Michelin

236B/246B/248B Skid Steer Loaders

AEHQ5565 (12-03)

Replaces 236 AEHQ5355-03, 246 AEHQ5356-03, 248 AEHQ5375-01

For more complete information on Cat products, dealer services,
and industry solutions, visit us on the web at www.CAT.com

© 2003 Caterpillar
Printed in U.S.A.

Materials and specifications are subject to change without notice.
Featured machines in photos may include additional equipment.
See your Caterpillar dealer for available options.

CATERPILLAR[®]