

G315/G320 G330

Sorting and
Demolition Grapples

CAT[®]



Grapple Model	Cat Excavator	Linkage
G315	322B L	B/S
	325B L	C
G320	325B L	C
	330B L	D

Grapple Model	Cat Excavator	Linkage
G330	330B L	D
	345B L	F
	365B L	V

Cat® G315, G320, G330 Sorting and Demolition Grapples

Caterpillar Sorting and Demolition Grapples feature 360 degree hydraulic rotation. They are equally well suited for demolition of brick and wood structures. These grapples are extremely effective for sorting and loading a variety of different materials as found in demolition debris and scrap piles.

Mounted at the end of the stick on excavators ranging in size from the Cat 320B to the 345B, these grapples prove more productive than the widely used rotating contractor's and orange peel grapples. Three key features account for the increased productivity:

- The positive, mechanical linkage between the stick and the grapple allows the grapples to be quickly and accurately positioned almost

anywhere within the reach of the excavators. This is also due to the 360 degree rotation, rotation speed, and the accuracy of the controls which enables the operator to start and stop the rotation instantaneously. At the recommended oil flow, the tool can turn a full 360 degrees in 4 seconds.

- The 1.7 second open/close cycle time makes it possible to "feather" material on to moving conveyor belts significantly facilitating the hand sorting common in most recycling operations.

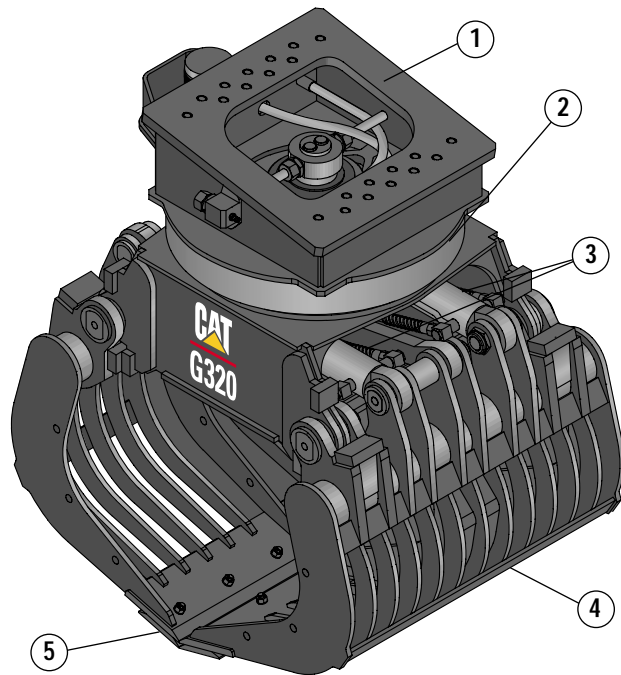
The cutting edges are made with Hardox 500. They are protected on the outside by 1" thick wear plates bolted on to the cutting edges. The wear plates are made with the proprietary Cat DH2

steel with excellent impact and abrasion resistance as well as a hardness approaching 50 RC. They can be turned 180 degrees doubling the life of the wear plates. Two welded on horizontal steel bars on each jaw reinforce the vertical ribs. Steel plates bolted on to the sides of the grapple are available as an option when loading operations requiring a more closed rib cage.

The speed, dexterity, clamping force, and rugged construction make these grapples ideal tools for demolition of non-concrete structures. They can accomplish all required operations such as the demolition itself, sorting of the debris, loading and site clean up.

Caterpillar Sorting and Demolition Grapples are also well suited for most recycling operations because of the efficiency with which the operator can sort and pile the different materials normally found in demolition debris and scrap piles. For certain loading operations involving smaller size material, Caterpillar offers bolt-on plates mounted on the sides of the grapples.





Features

- ① Plate for mounting adapter bracket
- ② 360 degree slewing ring
- ③ Fully protected cylinders
- ④ Horizontal, welded on steel bars reinforce vertical ribs
- ⑤ Optional bolt-on replaceable wear plates

Specifications

Model	G315	G320	G330
Weight*	1840 kg* 4,057 lb*	2060 kg* 4,542 lb*	2680 kg* 5,909 lb*
Capacity	800 l 1.04 yd ³	900 l 1.17 yd ³	1000 l 1.30 yd ³
Dimensions			
Length (grapple closed)	1505 mm 59"	1505 mm 59"	1515 mm 60"
Length (grapple open)	2265 mm 89"	2265 mm 89"	2270 mm 89"
Width	1115 mm 44"	1394 mm 55"	1480 mm 58"
Height (grapple closed)	1850 mm 72.8"	1850 mm 72.8"	1915 mm 75.4"
Height (grapple open)	1690 mm 66.5"	1690 mm 66.5"	1775 mm 69.1"
Closing force	60 kN 6.7 ton	60 kN 6.7 ton	60 kN 6.7 ton
Maximum Oil Flow			
Hydraulic cylinder	100 l/min 26.4 gpm	100 l/min 26.4 gpm	100 l/min 26.4 gpm
Rotation	40 l/min 10.6 gpm	40 l/min 10.6 gpm	40 l/min 10.6 gpm
Maximum Working Pressure			
Hydraulic cylinder	35000 kPa 5075 psi	35000 kPa 5075 psi	35000 kPa 5075 psi
Rotation	14000 kPa 2030 psi	14000 kPa 2030 psi	14000 kPa 2030 psi

Notes:

* Incl. mounting bracket

Sorting and Demolition Grapples

Matching Guide

Stick Mounted / Reach Boom

Sorting Grapple

Model	Cat Excavator	Stick Range	
		meters	feet
G315	322B L	2.5 - 3.6 m	8' 2" - 11' 10"
	325B L	2.7 - 3.2 m	8' 10" - 10' 6"
G320	325B L	2.7 - 3.2 m	8' 10" - 10' 6"
	330B L	3.3 - 3.9 m	10' 10" - 12' 10"
G330	330B L	3.3 - 3.9 m	10' 10" - 12' 10"
	345B L-V*	3.4 - 3.9 m	11' 2" - 12' 10"
	345B L-F**	3.4 - 4.8 m	11' 2" - 15' 9"
	365B L	2.8 - 4.7 m	9' 4" - 15' 4"

Notes:

*Variable undercarriage

**Fixed undercarriage

Caterpillar recommends falling object guards in applications where there is a possibility of falling objects. Please consult your Caterpillar dealer for these guards.

GEHQ0169

© 2000 Caterpillar
Printed in U.S.A.

Materials and specifications are subject to change without notice.
Featured machines in photos may include additional equipment.
See your Caterpillar dealer for available options.

CATERPILLAR[®]