



Cat[®] 272C

SKID STEER LOADER

FEATURES:

The Cat[®] 272C Skid Steer Loader, with its long wheel base and vertical lift design, delivers extended reach and lift height for quick and easy truck loading. Its stability and lifting performance provides excellent material handling. The 272C features the following:

- **Sealed and pressurized cab option** provides a cleaner and quieter operating environment.
- **Seat mounted adjustable joystick controls and available air ride seat** make the C-Series the industry leader in operator comfort.
- **High performance power train** provides high engine horsepower and torque. Electronic Torque Management and standard foot throttle allow the machine to be operated at part throttle for lower sound levels and fuel consumption.
- **High Flow XPS hydraulic system** is available for applications that demand maximum hydraulic work tool performance.
- **Easy routine maintenance** helps reduce machine downtime for greater productivity.
- **Caterpillar's broad range of performance matched work tools** make the Cat Skid Steer Loader the most versatile machine on the jobsite.

Specifications

Engine

| | | |
|-----------------------|---------------------------|---------------------|
| Engine Model | Cat [®] C3.4 DIT | |
| Gross Power SAE J1995 | 70 kW | 94 hp |
| Net Power SAE 1349 | 67 kW | 90 hp |
| Displacement | 3.3 L | 201 in ³ |
| Stroke | 120 mm | 4.7 in |
| Bore | 94 mm | 3.7 in |

Weights

| | | |
|------------------|---------|----------|
| Operating Weight | 3793 kg | 8,362 lb |
|------------------|---------|----------|

Power Train

| | | |
|------------------------------------|----------|----------|
| Travel Speed (Forward or Reverse): | | |
| One Speed | 11.6 kph | 7.2 mph |
| Two Speed Option | 16.1 kph | 10.0 mph |
| XDP Option Speed (with tires) | 9.7 kph | 6.0 mph |
| XDP Option Speed (with VTS tracks) | 7.5 kph | 4.7 mph |

Hydraulic System

| | | |
|---------------------------------|------------|------------|
| Hydraulic Flow – Standard: | | |
| Loader Hydraulic Pressure | 23 000 kPa | 3,335 psi |
| Loader Hydraulic Flow | 84 L/min | 22 gal/min |
| Hydraulic Power | 31.9 kW | 42.8 hp |
| Hydraulic Flow – High Flow XPS: | | |
| Max. Loader Hydraulic Pressure | 28 000 kPa | 4,061 psi |
| Max. Loader Hydraulic Flow | 125 L/min | 33 gal/min |

Operating Specifications

| | | |
|--|---------|----------|
| Rated Operating Capacity | 1474 kg | 3,250 lb |
| Rated Operating Capacity with Optional Counterweight | 1579 kg | 3,480 lb |
| Tipping Load | 2948 kg | 6,500 lb |
| Breakout Force, Tilt Cylinder | 3318 kg | 7,315 lb |

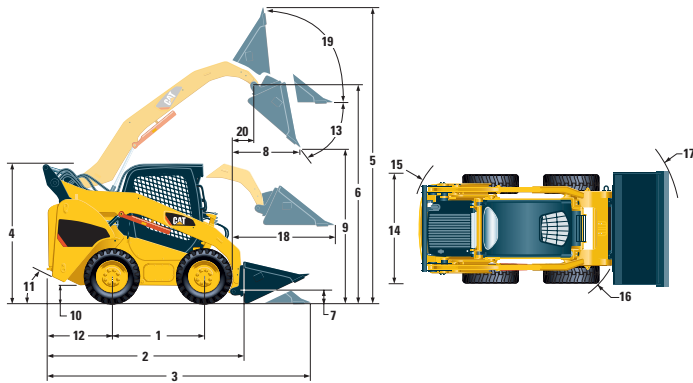
Cab

| | |
|---------------|--|
| ROPS | SAE J1040 MAY94, ISO 3471:1994 |
| FOPS | SAE J1043 SEPT87, ISO 3449:1992 Level I |
| FOPS Level II | SAE J231 JAN81, ISO 3449:1992 Level II |

Service Refill Capacities

| | | |
|----------------------|------|---------|
| Chain Box, each side | 11 L | 2.9 gal |
| Cooling System | 14 L | 3.7 gal |
| Engine Crankcase | 10 L | 2.6 gal |
| Fuel Tank | 98 L | 26 gal |
| Hydraulic System | 57 L | 15 gal |
| Hydraulic Tank | 42 L | 11 gal |

272C Skid Steer Loader



Dimensions

| | | |
|--|---------|----------|
| 1 Wheelbase | 1381 mm | 54.4 in |
| 2 Length w/o Bucket | 3120 mm | 122.8 in |
| 3 Length w/Bucket on Ground | 3833 mm | 150.9 in |
| 4 Height to Top of Cab | 2104 mm | 82.8 in |
| 5 Max. Overall Height | 4115 mm | 162.0 in |
| 6 Bucket Pin Height at Max. Lift | 3279 mm | 129.1 in |
| 7 Bucket Pin Height at Carry Position | 200 mm | 7.8 in |
| 8 Reach at Max. Lift and Dump | 764 mm | 30.1 in |
| 9 Clearance at Max. Lift and Dump | 2487 mm | 97.9 in |
| 10 Ground Clearance | 225 mm | 8.8 in |
| 11 Departure Angle | 26° | |
| 12 Bumper Overhang Behind Rear Axle | 1089 mm | 42.8 in |
| 13 Maximum Dump Angle | 51° | |
| 14 Vehicle Width over Tires | 1676 mm | 66.0 in |
| 15 Turning Radius from Center – Machine Rear | 1796 mm | 70.7 in |
| 16 Turning Radius from Center – Coupler | 1451 mm | 57.1 in |
| 17 Turning Radius from Center – Bucket | 2263 mm | 89.1 in |
| 18 Max. Reach w/Arms Parallel to Ground | 1270 mm | 50.0 in |
| 19 Rack Back Angle at Max. Height | 83° | |
| 20 Bucket Pin Reach at Max. Lift | 373 mm | 14.7 in |

MANDATORY EQUIPMENT

- Hydraulics, Standard or High Flow XPS
- Quick Coupler, Mechanical or Hydraulic
- Seat Belt, 50 mm (2 in) or 75 mm (3 in)

COMFORT PACKAGE (must select one of the following)

- Open ROPS (C1): *Cup Holder, Radio Ready, Suspension Seat, (No Heater or Door)*
- Enclosed ROPS with Heat (C2): *Cup Holder, Radio Ready, Seat (choice of Suspension or Air Ride), Heater and Defroster, Side Windows, Door (either Glass or Polycarbonate)*
- Enclosed ROPS with A/C (C3): *C2 + Air Conditioner*

PERFORMANCE PACKAGE (must select one of the following)

- Performance Package 1: *One Speed*
- Performance Package 2: *One Speed, Self Level*
- Performance Package 3: *Two Speed, Self Level*
- Performance Package 4: *Two Speed, Self Level, Ride Control, Advanced Machine Information and Control System (AMICS)*

STANDARD EQUIPMENT

ELECTRICAL

- 12 volt Electrical System
- 90 ampere Alternator
- Ignition Key Start/Stop Switch
- Lights: *Gauge Backlighting, Two Rear Tail Lights, Two Rear Working Lights, Two Adjustable Front Halogen Lights, Dome Light*
- Backup Alarm
- Heavy Duty Battery, 850 CCA

OPERATOR ENVIRONMENT

- Gauges: *Fuel Level, Hour Meter*
- Operator Warning System Indicators: *Air Filter Restriction, Alternator Output, Armrest Raised/Operator Out of Seat, Engine Coolant Temperature, Engine Oil Pressure, Glow Plug Activation, Hydraulic Filter Restriction, Hydraulic Oil Temperature, Park Brake Engages*
- Vinyl Seat
- Fold in Ergonomic Contoured Armrest
- Control Interlock System, when operator leaves seat or armrest raised: *Hydraulic System Disables, Hydrostatic Transmission Disables, Parking Brake Engages*
- ROPS Cab, Open, Tilt Up
- FOPS, Level I
- Top and Rear Windows
- Headliner, Deluxe
- Floor Mat
- Interior Rear View Mirror
- 12 volt Electric Socket
- Horn

POWER TRAIN

- Cat® C3.4 DIT Tier 3 Compliant Diesel Engine
- Air Cleaner, Dual Element, Radial Seal
- S-O-S™ Sampling Valves, Engine Oil and Hydraulic Oil
- Filters, Spin-on, Hydraulic
- Filters, Bayonet-type, Fuel and Water Separator
- Tilt Up Radiator/Hydraulic Oil Cooler
- Spring Applied, Hydraulically Released, Wet Multi Disc Parking Brakes
- Hydrostatic Transmission
- Four Wheel Chain Drive

OTHER

- Engine Enclosure, Lockable
- Extended Life Antifreeze, -37° C (-34° F)
- Machine Tie Down Points (4)
- Support, Lift Arm
- Hydraulic Oil Level Sight Gauge
- Radiator Coolant Level Sight Gauge
- Radiator, Expansion Bottle
- Caterpillar ToughGuard™ Hose
- Auxiliary, Hydraulics, Continuous Flow
- Heavy Duty, Flat Faced Quick Disconnects
- Split D-Ring to Route Work Tool Hoses Along Side of Left Lift Arm
- Electrical Outlet, Beacon
- Belly Pan Cleanout

OPTIONAL ATTACHMENTS

- Counterweight
- Beacon, Rotating
- Engine Block Heater – 120V or 240V
- Oil, Hydraulic, Cold Operation
- Paint, Custom
- Extreme Duty Power Train (XDP)

For more complete information on Cat products, dealer services, and industry solutions, visit us on the web at www.cat.com

AEHQ5861-01 (5-08)

© 2008 Caterpillar
All Rights Reserved
Printed in U.S.A.

Materials and specifications are subject to change without notice. Featured machines in photos may include additional equipment. See your Caterpillar dealer for available options.

CAT, CATERPILLAR, their respective logos, "Caterpillar Yellow" and the POWER EDGE trade dress, as well as corporate and product identity used herein, are trademarks of Caterpillar and may not be used without permission.

CATERPILLAR®