

NISSAN
FORKLIFT

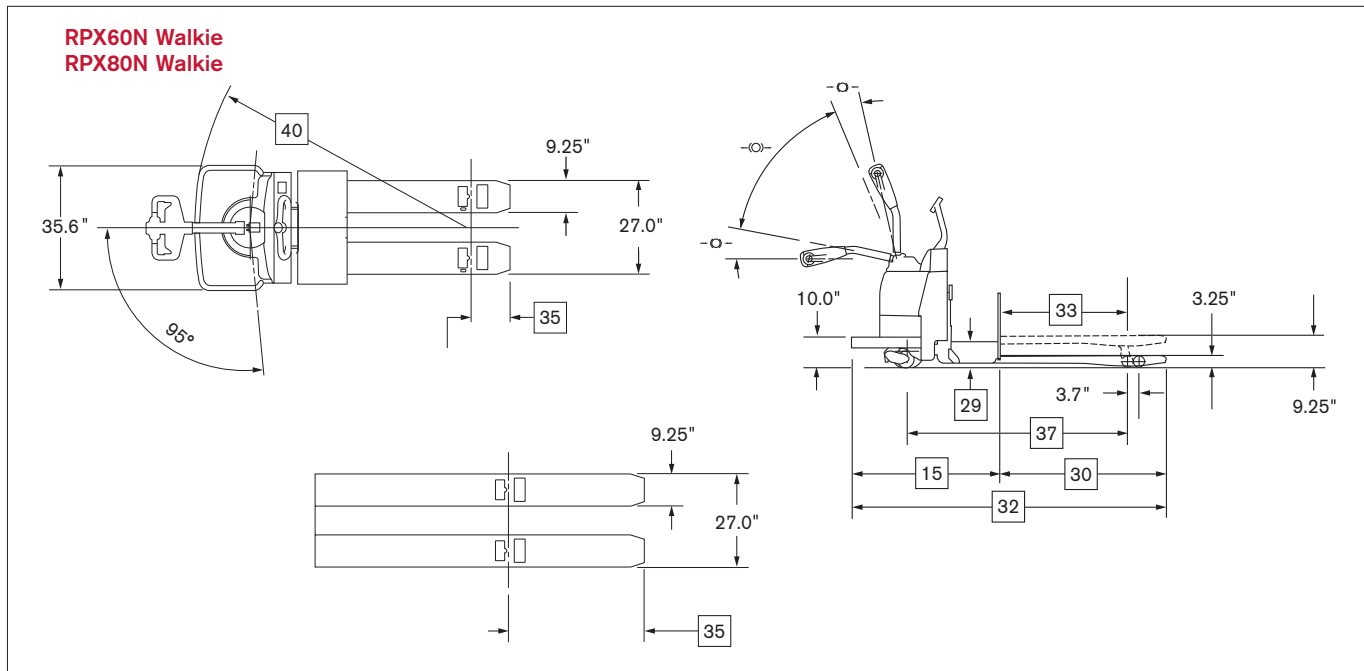
Platinum RPX Series

Walkie & Walkie/Rider Pallet Truck / **AC-Powered Models**

6,000 & 8,000 lb.
Capacities



Dimensions



Options



Coast control allows truck to slowly coast to a complete stop, for more efficient order picking. Actuated manually using a toggle lever or by an electronic switch (shown).



Load backrests have a slip-on or tilt down design available to facilitate battery change out. Tilt down includes Nissan's EZ release feature.



Optional multi-function LCD digital display includes PIN codes to restrict truck access, selectable performance modes, battery discharge indicator and speedometer. It also offers on-board diagnostics, troubleshooting and adjustment.



Magnetic convenience tray adheres to the top of the battery box. Includes shrink wrap holder and room for operator's tools.



Battery roller design provides easier battery change out. Includes removable side gates.



Sidetracker promotes greater productivity by allowing operator to walk beside truck while performing low level order picking¹.

¹ Must be ordered with manual Coast Control or electronic Click-n-Coast feature.

6,000 & 8,000 lb. capacities

Main Truck Specifications

				Nissan	Nissan		
CHARACTERISTICS	1	Manufacturer's Name		Nissan	Nissan	1	
	2	Model	Model designation	RPX60N	RPX80N	2	
	3		Long model code	RPXT2W2G60NV	RPXT2W2G80NV	3	
	4	Load Capacity	Rated capacity	lb (kg)	6000 (2720)	8000 (3630)	4
	5	Power Type	Electric		24 Volt	24 Volt	5
	6	Operator Type			Walkie / Rider	Walkie / Rider	6
	7	Tire Type	Drive tire		Solid Rubber	Solid Rubber	7
	8		Caster wheels		Poly	Poly	8
	9		Load wheels		Vulkollan Poly	Vulkollan Poly	9
	10	Wheels	Drive/caster/load (x=driven)	number	1x / 2 / 2	1x / 2 / 2	10
FORKS	11	Fork Size	Outside spread	in (mm)	27 (685)	27 (685)	11
	12	Fork Height	Raised position	in (mm)	9.25 (235)	9.25 (235)	12
	13		Lowered position	in (mm)	3.25 (82.5)	3.25 (82.5)	13
	14	Individual Fork Width		in (mm)	9.25 (235)	9.25 (235)	14
DIMENSIONS	15	Overall Dimensions	Head length	in (mm)	42.9 (1090)	42.9 (1090)	15
	16	Width	Chassis	in (mm)	35.6 (905)	35.6 (905)	16
	17	Tires / Wheels	Drive tire -dia. x width	in (mm)	10 x 5 (254 x 127)	10 x 5 (254 x 127)	17
	18		Caster wheels - dia. x width	in (mm)	5 x 2.5 (127 x 64)	5 x 2.5 (127 x 64)	18
	19		Load wheels - dia. x width	in (mm)	3.25 x 6 (83 x 152)	3.25 x 6 (83 x 152)	19
	SPEEDS	20	Speed - Travel	No load	mph (kph)	9.1 (14.6)	9.1 (14.6)
21			Full load	mph (kph)	6.6 (10.6)	6.1 (9.8)	21
22		Speed - Lift / Lower	No load	sec.	3.6 / 5.1	3.6 / 5.1	22
23			Full load	sec.	5.1 / 4.8	6.1 / 4.7	23
BATTERY	24	Compartment Size ¹	Length x Width x Height	in (mm)	31.9 x 13.25 x 32 (810 x 335 x 815)		24
	25	Amp Hr Capacity	Max (6-hr)	Ah	750	750	25
	26	Weight	Min / Max	lb (kg)	900 / 1500 (410 / 680)		26
	27	Lead Length	Position "B"	in (mm)	20 (508)	20 (508)	27
	28	Connector		type	SB-175 Red	SB-175 Red	28
	29	Battery Roller (Option)	Height from floor (forks lowered)	in (mm)	7.9 (200)	7.9 (200)	29

¹ Battery compartment size with adjustable retainers - 30.9 x 13.25 x 32 (785 x 335 x 815); w/optional rollers & side gates - 31.1 x 13.25 x 32 (790 x 335 x 815)

Aisle Specifications

				Single Pallet			Double Pallet			
		RPX Walkie/Rider Pallet		36	42	48	84	96		
SPECIFICATIONS	30	Fork Length	Nominal	in	36	42	48	84	96	30
	31		Actual	in (mm)	35.7 (910)	41.7 (1060)	47.7 (1210)	83.7 (2125)	95.7 (2430)	31
	32	Overall Truck Length		in (mm)	78.8 (2000)	84.8 (2155)	90.8 (2305)	126.8 (3220)	138.8 (3530)	32
	33	Face of Forks to Center	Forks raised	in (mm)	24.4 (620)	30.4 (770)	36.4 (925)	56.5 (1435)	56.5 (1435)	33
	34	of Load Wheel	Forks lowered	in (mm)	28.0 (710)	34.0 (865)	40.0 (1015)	60.1 (1525)	60.1 (1525)	34
	35	Center of Load Wheel	Forks raised	in (mm)	11.3 (290)	11.3 (290)	11.3 (290)	27.2 (690)	39.2 (995)	35
	36	to Tip of Forks	Forks lowered	in (mm)	7.7 (195)	7.7 (195)	7.7 (195)	23.6 (605)	35.6 (905)	36
	37	Wheelbase	Forks raised	in (mm)	51.6 (1310)	57.6 (1465)	63.6 (1615)	83.5 (2120)	83.5 (2120)	37
	38		Forks lowered	in (mm)	55.2 (1405)	61.2 (1555)	67.2 (1710)	87.1 (2215)	87.1 (2215)	38
	39	Grade Clearance	Forks raised w/pallet	%	36.4	32.5	29.4	22.4	22.4	39
	40	Turning Radius		in (mm)	68.0 (1730)	73.9 (1875)	79.7 (2025)	99.5 (2530)	99.5 (2530)	40
	41	Right Angle Stacking Aisle ¹	40", 42, 48" Load Width	in (mm)	78.0 (1980)	84.0 (2130)	90.0 (2285)	128.0 (3230)	140.0 (3540)	41
	42	90° Equal Intersecting Aisle ¹	40" Load Width	in (mm)	66.2 (1685)	69.3 (1760)	72.4 (1840)	83.6 (2125)	84.7 (2150)	42
	43		42" Load Width	in (mm)	67.2 (1710)	70.3 (1785)	73.4 (1865)	84.6 (2150)	85.8 (2180)	43
	44		48" Load Width	in (mm)	70.3 (1785)	73.4 (1865)	76.2 (1945)	87.8 (2230)	88.9 (2260)	44
45	Truck Weight	No load, without battery	lb (kg)	1110 (505)	1140 (515)	1165 (530)	1305 (590)	1340 (610)	45	

¹ Add 6-8" for ease of operation. Includes 1" clearance on each side of load.

Platinum RPX^{series}

Technical Information

Standard Equipment

- 24-volt electrical system
- Brushless AC drive motor and controller system
- Multi-function digital display includes battery discharge indicator with lift lockout, (3) hour meters, and fault-code display
- Digital CAN-bus communications
- Programmable performance parameters
- Ergonomic control handle with butterfly speed control
- Fingertip control of lift, lower, and horn buttons
- Cruise control with anti-tapedown
- Large operator platform with anti-fatigue cushioned mat
- Electronic horn
- On/off key switch
- Tapered fork tips with pallet entry/exit slides
- Adjustable battery retainers
- SB-175 red battery connector
- Vulkollan poly load wheels with string guards
- Rubber drive tire with string guard
- Heavy-duty, spring-loaded caster wheels with string guards
- Regenerative braking
- Spring applied/electronically released brake system
- Sealed switches and controller for wet, cooler and freezer applications
- Motor and controller thermal protection
- Hydraulic overload protection valve
- Powder-coat paint finish

Optional Equipment

- Multi-function LCD display with:
 - PIN access
 - Selectable performance modes
 - BDI and speedometer
 - On-board diagnostics and troubleshooting
- Magnetic mount convenience tray with stretch wrap holder
- Manual or electric coast control
- Sidetracker (requires coast control)
- Anti-slip platform covering
- Tilt-down load backrest with EZ release (48" or 60" extension)
- Slip on/off load backrest (48" or 60" extension)
- Battery compartment rollers with side gates
- Battery gate interlock
- Travel alarm
- Toggle switch
- Fork auto-lift function
- Poly load wheels
- Non-marking rubber, traction treaded rubber or flat poly drive tire options

Ergonomics & Operator Comfort

A spacious operator platform and compact hood design offers the operator a variety of comfortable positions for reduced fatigue and sustained productivity. Cushioned platform mat provides added comfort.

A wide, 190° steering arc and large, sealed, ball-bearing steering mechanism allows exceptional turning with minimal effort. Spring-loaded handle and roomy steering control head promote effortless movement into the operating range. The control handle features tubular steel construction and the control head is constructed from a fiberglass-filled polymer composite, with internal steel reinforcements, for higher strength and increased durability.

Thumb or fingertip-actuated butterfly speed controls provide easy and precise operation. Ergonomic, fingertip layout of the soft-touch lift, lower and horn buttons delivers comfortable operation. Large switch on the end of the control head changes the truck's travel direction if operator contact is inadvertently made.

Soft grip, high-speed grab bar provides the operator maximum security and comfort. A center mounted control pod provides efficient operation of lift/lower, high speed and horn functions. Standard cruise control is activated by one touch of a button, allowing the operator to maintain high-speed travel, without continuously needing to hold down the button down.

Optional coast control feature allows truck to coast for more efficient order picking. Actuated by either a manual toggle lever at the base of the handle, or by an electronic switch located near the butterfly speed control.

Switches conveniently located on either side of the control handle activate the optional sidetracker feature. Used in conjunction with coast control, this feature allows the operator to walk beside the truck while performing low-level order picking, for greater efficiency and productivity.

Efficient Performance

Heavy-duty 5.2Hp, brushless, three-phase AC drive motor provides high power and torque to handle high productivity operations, with peak performance throughout the battery range. Longer run times per battery charge are achieved by using less energy per cycle.

For enhanced efficiency, its advanced motor controller/AC inverter electronically distributes power as needed to the AC drive motor or DC pump motor. This system offers programmable regenerative neutral braking and proportional plugging. The AC design eliminates forward and reverse contactors, and uses electronic travel speed control for precise, efficient performance.

Optional Multi-Function LCD Display

An optional multi-function LCD display offers PIN codes to restrict truck access, selectable performance modes for customized productivity, and a battery discharge indicator with graphic representation of remaining battery charge. Plus, with its on-board diagnostics, troubleshooting, and adjustment capabilities, a service tech can make adjustments and perform maintenance without the need for a separate handset tool.

Smart Electric Brake

Electrical braking system utilizes regenerative motor torque prior to disc brake actuation, for less component wear and longer life. The spring-applied/electronically released disc brake system eliminates needed adjustments, resulting in reduced maintenance and lower operating costs. Brake actuation occurs when the handle is in the upper and lower braking range.

Fork Assembly

Forks are 9¹/₄" wide and constructed from 1¹/₄" plate steel, and designed with a reinforced tip for extra durability. Various lengths available for both double and single pallet fork options. All come with standard 27" wide fork spread.

Proven, push-type lift linkage design uses rugged 1¹/₂" x 1¹/₂" solid steel tie rods to absorb high impact shocks caused by dock boards and dock plates. Push type design achieves full 6" of lift while preventing the tie rods from extending beyond the fork plane. This design also reduces maintenance since no adjustments are needed.

Alloy steel fork slides facilitate pallet entry and exit eliminating the need for entry rollers or discs. Tie rods are positively aligned and pinned to eliminate the need for field adjustments. Full-length, angle iron reinforcements enhance torsion strength for increased durability and longer life.

Optional Auto-Lift

Prevent fork drag across uneven floors using this option. Once the forks are lowered, release the button, then they automatically lift 2¹/₂".

Wheels

6" wide Vulkollan poly load wheels with dual bearings offer increased floor surface contact and string guards help prevent debris from getting into axles and bearings.

Hydraulics

The heavy-duty integrated lift system (including DC motor, lift pump and fluid reservoir) features an overload valve to protect hydraulic components, and includes a check valve and flow regulator. No lift limit switch is needed since the controller cuts out pump.

Drive Unit Assembly

Quiet, spiral beveled gear drive system with sealed ball bearings, provides solid performance with low steer effort. Five-nut removal of the drive tire simplifies replacement when needed.

Ease of Maintenance

Brushless AC drive motor uses fewer components and requires less maintenance for lower operating costs. Easily accessible, rotation sensing encoder is externally mounted on the drive motor for simplified replacement. As an added feature, the truck's motor and controller feature thermal protection system which slows or shuts down the truck in response to high temperatures.

Digital CAN communication between the controller and control handle reduces the number of wires in the control handle harness, for reduced maintenance. Hall Effect speed and acceleration control sensor simplifies maintenance and limits downtime due to its non-contact design, with no mechanical wiping action, potentiometers, or heaters. On-board diagnostics simplifies maintenance.

One-piece cover with two-bolt removal makes access to the drive unit, and major components quick and easy. All lubrication fittings are easily accessible with the truck upright.

Environmental

This truck is ideal for use across multiple environments. All components are designed to withstand wet, cold and/or freezer applications to -20° F (-28.9° C). The main controller features an ingress protection rating of IP65 against dust and moisture intrusion.



ISO 14001:2004
NISSAN GREEN PROGRAM

Nissan Forklift Corporation reserves the right to make product changes relating to colors, equipment, specifications or available options without notice. For more information, contact your Nissan Forklift representative.

NISSAN FORKLIFT