



Cat[®] 236B Series 2

SKID STEER LOADER

FEATURES:

The Cat[®] 236B Series 2 Skid Steer Loader, with its radial lift design, delivers excellent digging performance with outstanding drawbar power. The 236B Series 2 features the following:

- **Ergonomic operator station** features easy to use pilot operated joystick controls for reduced operator fatigue and increased productivity.
- **High performance power train** provides high engine horsepower and torque, allowing part-throttle operation for lower sound levels and fuel consumption.
- **Advanced hydraulic system** is designed for maximum power and reliability.
- **Easy routine maintenance** helps reduce machine downtime for greater productivity.
- **Broad range of performance matched Cat[®] Work Tools** make the Cat Skid Steer Loader the most versatile machine on the jobsite.

Specifications

Engine

Engine Model	Cat [®] 3044C DIT	
Gross Power SAE J1995	54 kW	73 hp
Net Power SAE 1349	52 kW	70 hp
Displacement	3.3 L	201 in ³
Stroke	120 mm	4.7 in
Bore	94 mm	3.7 in

Weights

Operating Weight	3178 kg	7,007 lb
------------------	---------	----------

Power Train

Travel Speed (Forward or Reverse):		
One Speed	12.1 km/h	7.5 mph
Two Speed Option	18.6 km/h	11.6 mph

Hydraulic System

Hydraulic Flow – Standard:		
Loader Hydraulic Pressure	23 000 kPa	3,335 psi
Loader Hydraulic Flow	83 L/min	22 gal/min
Hydraulic Power	31.9 kW	42.8 hp

Operating Specifications

Rated Operating Capacity	884 kg	1,950 lb
Rated Operating Capacity with Optional Counterweight	929 kg	2,050 lb
Tipping Load	1814 kg	4,000 lb
Breakout Force, Tilt Cylinder	2487 kg	5,484 lb

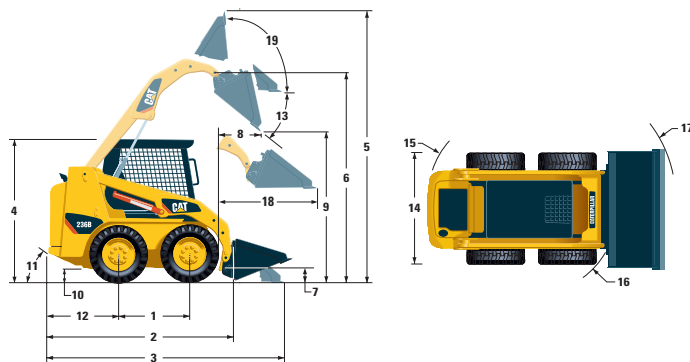
Cab

ROPS	SAE J1040 MAY94, ISO 3471:1994
FOPS	SAEJ/ISO 3449 APR98 Level I, ISO 3449:1992 Level I
FOPS Level II	SAEJ/ISO 3449 APR98 Level II, ISO 3449:1992 Level II (optional)

Service Refill Capacities

Chain box, each side	7 L	1.8 gal
Cooling System	10 L	2.6 gal
Engine Crankcase	10 L	2.6 gal
Fuel Tank	90 L	23.8 gal
Hydraulic System	52 L	13.7 gal
Hydraulic Tank	35 L	9.2 gal

236B Series 2 Skid Steer Loader



Dimensions

1 Wheelbase	1134 mm	45 in
2 Length w/o Bucket	2800 mm	110 in
3 Length w/Bucket on Ground	3515 mm	138 in
4 Height to Top of Cab	2092 mm	82 in
5 Maximum Overall Height	3965 mm	156 in
6 Bucket Pin Height at Maximum Lift	3099 mm	122 in
7 Bucket Pin Height at Carry Position	257 mm	10 in
8 Reach at Maximum Lift and Dump	541 mm	21 in
9 Clearance at Maximum Lift and Dump	2398 mm	94 in
10 Ground Clearance	235 mm	9.3 in
11 Departure Angle	28°	
12 Bumper Overhang Behind Rear Axle	1038 mm	41 in
13 Maximum Dump Angle	40°	
14 Vehicle Width over Tires	1676 mm	66 in
15 Turning Radius from Center – Machine Rear	1623 mm	64 in
16 Turning Radius from Center – Coupler	1318 mm	52 in
17 Turning Radius from Center – Bucket	2097 mm	83 in
18 Maximum Reach w/Arms Parallel to Ground	1357 mm	53 in
19 Rack Back Angle at Maximum Height	97.4°	

MANDATORY EQUIPMENT

- Quick Coupler, Mechanical or Hydraulic
- Seat Belt, 50 mm (2 in) or 75 mm (3 in)

COMFORT PACKAGE (must select one of the following)

- Open ROPS (C0): *Static Seat*
- Open ROPS (C1): *Suspension Seat, Cup Holder*
- Enclosed ROPS (C2): *C1 + Heater, Cab Door, Side Windows, Cab Debris Barrier*
- Enclosed ROPS (C3): *C2 + Air Conditioner*

CONTROL PACKAGE (must select one of the following)

- Control Package 1: *On/Off Auxiliary Hydraulics Basic*
- Control Package 2: *Proportional Auxiliary Hydraulics Deluxe 1 Speed*
- Control Package 3: *Proportional Auxiliary Hydraulics Deluxe 2 Speed*

STANDARD EQUIPMENT

ELECTRICAL

- 12 volt Electrical System
- 90 ampere Alternator
- Ignition Key Start/Stop Switch
- Lights: *Gauge Backlighting, Two Rear Tail Lights, Two Adjustable Front and Rear Halogen Lights, Dome Light*

OPERATOR ENVIRONMENT

- Gauges: *Fuel Level, Hour Meter*
- Operator Warning System Indicators: *Air Filter Restriction, Alternator Output, Armrest Raised/Operator Out of Seat, Engine Coolant Temperature, Engine Oil Pressure, Glow Plug Activation, Hydraulic Filter Restriction, Hydraulic Oil Temperature, Parking Brake Engaged*
- Vinyl Seat
- Pull Down Ergonomic Contoured Armrest
- Control Interlock System, when operator leaves seat or armrest raised: *Hydraulic System Disables, Hydrostatic Transmission Disables, Parking Brake Engages*
- ROPS Cab, Open, Tilt Up
- FOPS, Level I
- Top and Rear Windows
- Headliner, Deluxe
- Floor Mat
- Interior Rear View Mirror
- 12 volt Electric Socket
- Backup Alarm
- Horn

POWER TRAIN

- Cat® 3044C DIT Tier 2 Compliant Diesel Engine
- Air Cleaner, Dual Element, Radial Seal
- S-O-SSM Sampling Valves, Engine Oil and Hydraulic Oil
- Filters: Spin on, Hydraulic
- Filters: Bayonet-type, Fuel and Water Separator
- Tilt Up Radiator/Hydraulic Oil Cooler
- Muffler, Standard
- Spring Applied, Hydraulically Released, Wet Multi Disc Parking Brakes
- Hydrostatic Transmission
- Four Wheel Chain Drive

OTHER

- Engine Enclosure, Lockable
- Extended Life Antifreeze, -36° C (-33° F)
- Machine Tie Down Points (4)
- Support, Lift Arm
- Hydraulic Oil Level Sight Gauge
- Radiator Coolant Level Sight Gauge
- Radiator, Expansion Bottle
- Cat® ToughGuard™ Hose
- Auxiliary, Hydraulics, Continuous Flow
- Heavy Duty, Flat Faced Quick Disconnects
- Split D-Ring to Route Work Tool Hoses Along Side of Left Lift Arm
- Electrical Outlet, Beacon
- Belly Pan Cleanout

OPTIONAL ATTACHMENTS

- Counterweight, increases rated operating capacity 45 kg (100 lb)
- Beacon, Rotating
- Engine Block Heater – 120V or 240V
- Oil, Hydraulic, Cold Operation
- Paint, Custom
- Heavy Duty Battery, 850 CCA

For more complete information on Cat products, dealer services, and industry solutions, visit us on the web at www.cat.com

AEHQ5897 (6-07)

© 2007 Caterpillar
All Rights Reserved
Printed in U.S.A.

Materials and specifications are subject to change without notice. Featured machines in photos may include additional equipment. See your Caterpillar dealer for available options.

CAT, CATERPILLAR, their respective logos, "Caterpillar Yellow" and the POWER EDGE trade dress, as well as corporate and product identity used herein, are trademarks of Caterpillar and may not be used without permission.

CATERPILLAR®