



# Cat<sup>®</sup> 252B Series 2

## SKID STEER LOADER

### FEATURES:

The Cat<sup>®</sup> 252B Series 2 Skid Steer Loader, with its vertical lift design, delivers extended reach and lift height for quick and easy truck loading. Its stability and lifting performance provides excellent material handling. The 252B Series 2 features the following:

- **Ergonomic operator station** features easy to use pilot operated joystick controls for reduced operator fatigue and increased productivity.
- **High performance power train** provides high engine horsepower and torque, allowing part-throttle operation for lower sound levels and fuel consumption.
- **Advanced hydraulic system** is designed for maximum power and reliability.
- **Easy routine maintenance** helps reduce machine downtime for greater productivity.
- **Broad range of performance matched Cat<sup>®</sup> Work Tools** make the Cat Skid Steer Loader the most versatile machine on the jobsite.

## Specifications

### Engine

Engine Model	Cat <sup>®</sup> 3044C DIT	
Gross Power SAE J1995	54 kW	73 hp
Net Power SAE 1349	52 kW	70 hp
Displacement	3.3 L	201 in <sup>3</sup>
Stroke	120 mm	4.7 in
Bore	94 mm	3.7 in

### Weights

Operating Weight	3565 kg	7,861 lb
------------------	---------	----------

### Power Train

Travel Speed (Forward or Reverse):		
One Speed	11.3 km/h	7.0 mph
Two Speed Option	17.8 km/h	11 mph

### Hydraulic System

Hydraulic Flow – Standard:		
Loader Hydraulic Pressure	23 000 kPa	3,335 psi
Loader Hydraulic Flow	81 L/min	22 gal/min
Hydraulic Power	31.9 kW	42.8 hp

### Operating Specifications

Rated Operating Capacity	1134 kg	2,500 lb
Rated Operating Capacity with Optional Counterweight	1157 kg	2,550 lb
Tipping Load	2495 kg	5,501 lb
Breakout Force, Tilt Cylinder	2498 kg	5,508 lb

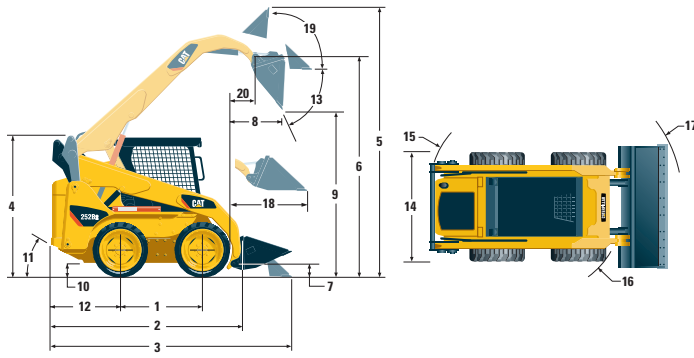
### Cab

ROPS	SAE J1040 MAY94, ISO 3471:1994
FOPS	SAEJ/ISO 3449 APR98 Level I, ISO 3449:1992 Level I
FOPS Level II	SAEJ/ISO 3449 APR98 Level II, ISO 3449:1992 Level II (optional)

### Service Refill Capacities

Chain box, each side	8 L	2.1 gal
Cooling System	10 L	2.6 gal
Engine Crankcase	10 L	2.6 gal
Fuel Tank	90 L	23.8 gal
Hydraulic System	53 L	14 gal
Hydraulic Tank	35 L	9.2 gal

# 252B Series 2 Skid Steer Loader



## Dimensions

1 Wheelbase	1228 mm	48.3 in
2 Length w/o Bucket	2901 mm	114.2 in
3 Length w/Bucket on Ground	3616 mm	142.4 in
4 Height to Top of Cab	2063 mm	82.6 in
5 Maximum Overall Height	4062 mm	159.9 in
6 Bucket Pin Height at Maximum Lift	3210 mm	126.4 in
7 Bucket Pin Height at Carry Position	213 mm	8.4 in
8 Reach at Maximum Lift and Dump	829 mm	32.6 in
9 Clearance at Maximum Lift and Dump	2421 mm	95.3 in
10 Ground Clearance	196 mm	7.7 in
11 Departure Angle	26.4°	
12 Bumper Overhang Behind Rear Axle	1043 mm	41.1 in
13 Maximum Dump Angle	51°	
14 Vehicle Width over Tires	1829 mm	72 in
15 Turning Radius from Center – Machine Rear	1696 mm	67 in
16 Turning Radius from Center – Coupler	1325 mm	52 in
17 Turning Radius from Center – Bucket	2180 mm	86 in
18 Maximum Reach w/Arms Parallel to Ground	1331 mm	52 in
19 Rack Back Angle at Maximum Height	87°	
20 Bucket Pin Reach at Maximum Lift	348 mm	13.7 in

## MANDATORY EQUIPMENT

- Quick Coupler, Mechanical or Hydraulic
- Seat Belt, 50 mm (2 in) or 75 mm (3 in)

### COMFORT PACKAGE (must select one of the following)

- Open ROPS (C0): *Static Seat*
- Open ROPS (C1): *Suspension Seat, Cup Holder*
- Enclosed ROPS (C2): *C1 + Heater, Cab Door, Side Windows, Cab Debris Barrier*
- Enclosed ROPS (C3): *C2 + Air Conditioner*

### CONTROL PACKAGE (must select one of the following)

- Control Package 1: *On/Off Auxiliary Hydraulics Basic*
- Control Package 2: *Proportional Auxiliary Hydraulics Deluxe 1 Speed*
- Control Package 3: *Proportional Auxiliary Hydraulics Deluxe 2 Speed*

## STANDARD EQUIPMENT

### ELECTRICAL

- 12 volt Electrical System
- 90 ampere Alternator
- Ignition Key Start/Stop Switch
- Lights: *Gauge Backlighting, Two Rear Tail Lights, Two Adjustable Front and Rear Halogen Lights, Dome Light*

### OPERATOR ENVIRONMENT

- Gauges: *Fuel Level, Hour Meter*
- Operator Warning System Indicators: *Air Filter Restriction, Alternator Output, Armrest Raised/Operator Out of Seat, Engine Coolant Temperature, Engine Oil Pressure, Glow Plug Activation, Hydraulic Filter Restriction, Hydraulic Oil Temperature, Parking Brake Engaged*
- Vinyl Seat
- Pull Down Ergonomic Contoured Armrest
- Control Interlock System, when operator leaves seat or armrest raised: *Hydraulic System Disables, Hydrostatic Transmission Disables, Parking Brake Engages*
- ROPS Cab, Open, Tilt Up
- FOPS, Level I
- Top and Rear Windows
- Headliner, Deluxe
- Floor Mat
- Interior Rear View Mirror
- 12 volt Electric Socket
- Backup Alarm
- Horn

### POWER TRAIN

- Cat® 3044C DIT Tier 2 Compliant Diesel Engine
- Air Cleaner, Dual Element, Radial Seal
- S-O-S<sup>SM</sup> Sampling Valves, Engine Oil and Hydraulic Oil
- Filters: Spin on, Hydraulic
- Filters: Bayonet-type, Fuel and Water Separator
- Tilt Up Radiator/Hydraulic Oil Cooler
- Muffler, Standard
- Spring Applied, Hydraulically Released, Wet Multi Disc Parking Brakes
- Hydrostatic Transmission
- Four Wheel Chain Drive

### OTHER

- Engine Enclosure, Lockable
- Extended Life Antifreeze, -36° C (-33° F)
- Machine Tie Down Points (4)
- Support, Lift Arm
- Hydraulic Oil Level Sight Gauge
- Radiator Coolant Level Sight Gauge
- Radiator, Expansion Bottle
- Cat® ToughGuard™ Hose
- Auxiliary, Hydraulics, Continuous Flow
- Heavy Duty, Flat Faced Quick Disconnects
- Split D-Ring to Route Work Tool Hoses Along Side of Left Lift Arm
- Electrical Outlet, Beacon
- Belly Pan Cleanout

## OPTIONAL ATTACHMENTS

- Counterweight, increases rated operating capacity 23 kg (50 lb)
- Beacon, Rotating
- Engine Block Heater – 120V or 240V
- Oil, Hydraulic, Cold Operation
- Paint, Custom
- Heavy Duty Battery, 850 CCA

For more complete information on Cat products, dealer services, and industry solutions, visit us on the web at [www.cat.com](http://www.cat.com)

AEHQ5899 (6-07)

© 2007 Caterpillar  
All Rights Reserved  
Printed in U.S.A.

Materials and specifications are subject to change without notice. Featured machines in photos may include additional equipment. See your Caterpillar dealer for available options.

CAT, CATERPILLAR, their respective logos, "Caterpillar Yellow" and the POWER EDGE trade dress, as well as corporate and product identity used herein, are trademarks of Caterpillar and may not be used without permission.

**CATERPILLAR®**