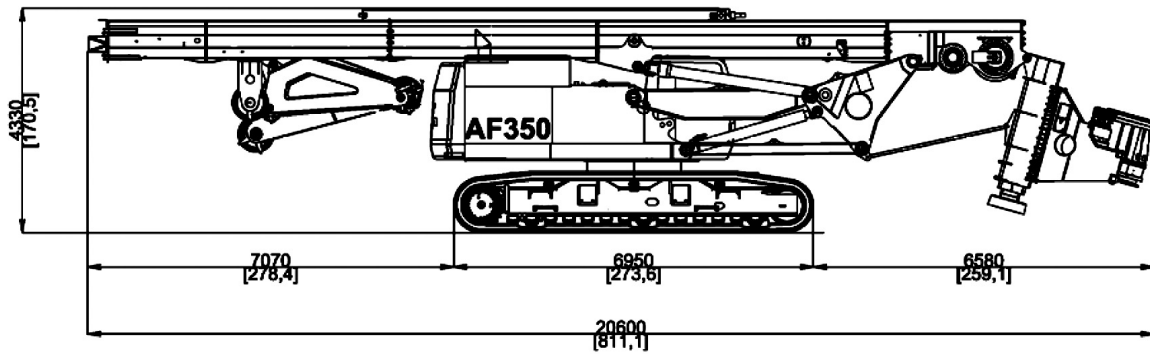




AF 350



Base		CAT 374 D
Undercarriage length / widening range / shoe	mm	6950/3800 - 5400/900
Engine type		CAT C15
Power		382 KW (512 HP) at 1800 rpm

Rotary		
Installed torque	kNm	330
Working speed	rpm	7 - 24
Discharge speed	rpm	60 -90

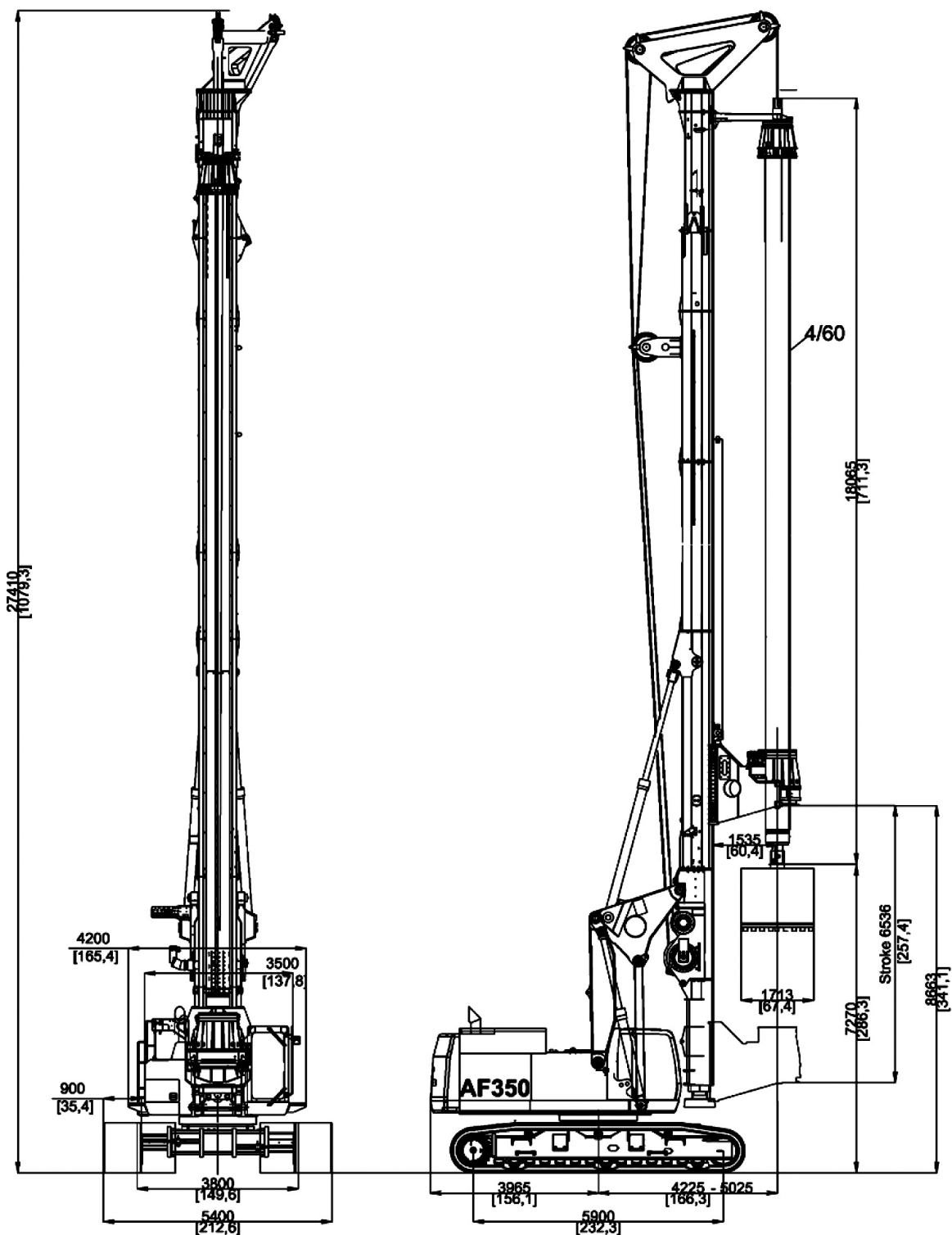
Winches		
Main winch pull force	kN	320
Main winch speed	m/min	50
Main winch Cable diameter	mm	38
Auxiliary winch pull force	kN	140
Auxiliary winch Speed	m/min	80
Auxiliary winch Cable diameter	mm	22

Crowd system		
Kelly crowd push	kN	350
Kelly crowd pull	kN	390
Stroke	mm	6536

Mast		
Mast raking forward		5°
Mast side raking		+5°
Mast raking backwards		15°
Pile max. diameter	mm	3000

Kelly bar		
Standard		4/60
Options available		3/35 - 4/50 - 4/76 - 5/64 - 5/90
Operating Weight w/standard kelly bar	t (metric)	117,5

Measurements in working phase



IMT
INTERNATIONAL

Legal Headquarters:

Via dei Gracchi, 91 - 00192 Roma Italy

Offices and Plant:

Via d'Ancona, 39 - 60027 Osimo (An) - Italy

Tel. + 39 071 723341 r.a. - Fax + 39 071 7133352

www.imtspa.com - imt@imtspa.com

All technical data are purely indicative and subject to change without notice.