

TH103

Telehandler



Rated Capacity	4535 kg	10,000 lb
Max Lift Height	13.4 m	44 ft
Capacity at Max Height	4535 kg	10,000 lb
Max Forward Reach	8.7 m	28 ft 9 in

Cat [®] 3054 T Engine		
Gross Power	78 kW	105 hp
Operating Weight	12,530 kg	27,623 lb
Turning Radius	3.9 m	13 ft
Frame Leveling	± 10 degrees	

Engine

Caterpillar 3054T turbocharged, watercooled, 4-stroke, 4-cylinder diesel engine.

Ratings at 2200 rpm	kW	hp
Gross Power	78	105
Net Power (SAE J1349)	75	101

Ratings at 1600 rpm	Nm
Net Torque	365 Nm (269 ft-lb)

Dimensions

Bore	100mm (3.94 in)
Stroke	127mm (5 in)
Displacement	4.0 liter (243 in ³)

Hydraulic System

Load-sensing, variable displacement, axial piston pump. Flow share valve for simultaneous operation of boom functions.

Single lever pilot operated joystick. Lock valves on all load holding cylinders.

System Pressure	250 bar (3625 psi)
Max Pump Flow	142 l/min (38 gpm)
Auxiliary Hyd Flow	71/min (18.8 gpm)
Auxiliary Pressure	124 bar (1800 psi)

Hydraulic Cycle Time (approx.)

Boom Raise	16 sec
Boom Lower	13 sec
Tele Out	12 sec
Tele In	12 sec

Refill Capacities

Fuel Tank	155 L (41 gal)
Hydraulic Tank	155 L (41 gal)

Brakes

Features

- Fully enclosed oil disc brakes on both axles
- Power-assisted, foot-operated service brakes
- Selectable transmission disconnect on foot-brake operation
- Hand-operated modulating park-brake operates on front axle brake discs
- Transmission interlock on parking brake

Powertrain & Axles

All mechanical, full time all wheel drive, powershift transmission with 4 forward and 3 reverse gears.

- Outboard planetary drive axles
- Free oscillating rear axle, fixed front axle
- Front axle differential lock

Wheels & Tires

Four, equal sized wheels and tires with axle mounted, close fitting fenders.

Standard:

Construction Tread 14.00-24 16PR

Optional:

Construction Tread 17.5 R25

Standard Equipment

Standard equipment may vary. Consult your Caterpillar Dealer for specifics.

Air Cleaner, radial seal with indicator

Alternator, 55amp (12 volt)

Antifreeze (-37° F)

Auxiliary hydraulics at boom head

Back-up alarm

Battery, 12 volt, 950CCA

Differential lock (front axle)

Frame leveling $\pm 10^\circ$ with lock valve

Front mounted stabilizers

Instrumentation:

Engine Coolant gauge

Transmission Oil temperature gauge

Fuel level gauge

Warning lights, 6 total

Hydraulic quick coupler

Joystick control, pilot operated

Mudguards (4)

Mirror, rear view (1), right side

Radiator dust screen

Retrieval hitch with pin

ROPS/FOPS canopy

Seat, suspension, with 3 in. retractable seat belt

Engine starting system, cold weather

Steering column tilt

Steering system, three modes

Transmission oil cooler

Transport tie-down points

Boom

Features

- Synchronized, three-section boom with hydraulic work tool coupler
- Non-metallic, adjustable boom wear pads
- Lock valves on all load holding cylinders
- 140° fore/aft coupler tilt range
- Selected fore/aft coupler tilt maintained hydraulically

Work Tools

Choose from a wide variety of work tools designed specifically for Telehandlers.

- General Purpose Bucket

- Grapple Bucket

- Light Material Bucket

- Material Handling Bucket

- Multi Purpose Bucket

- Fixed Carriages

- Rotate Carriages

- Block Forks

- Pallet Forks

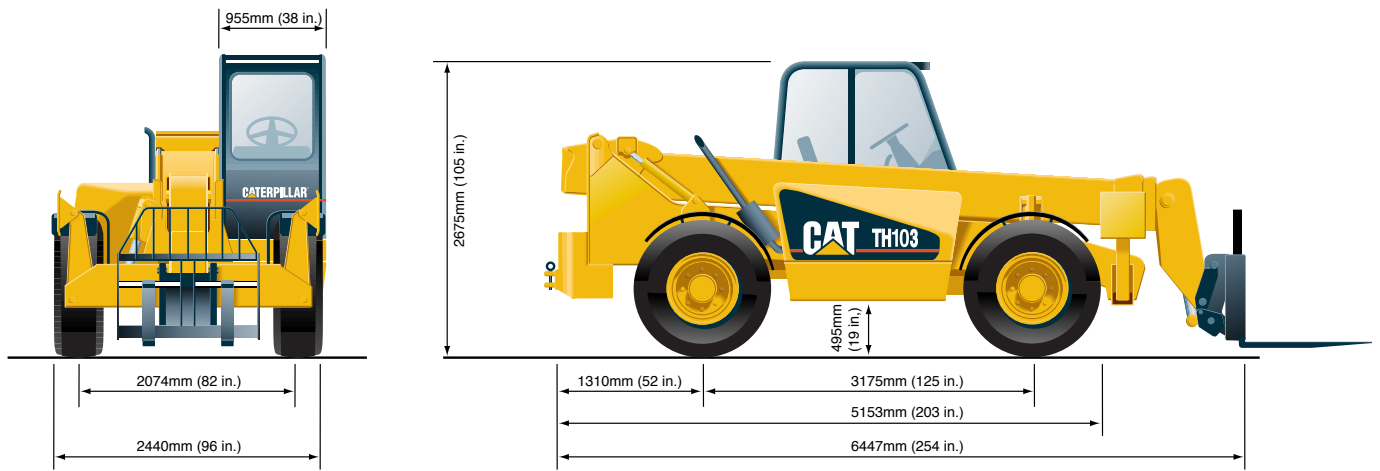
- Lifting Hook

- Self Tipping Hopper

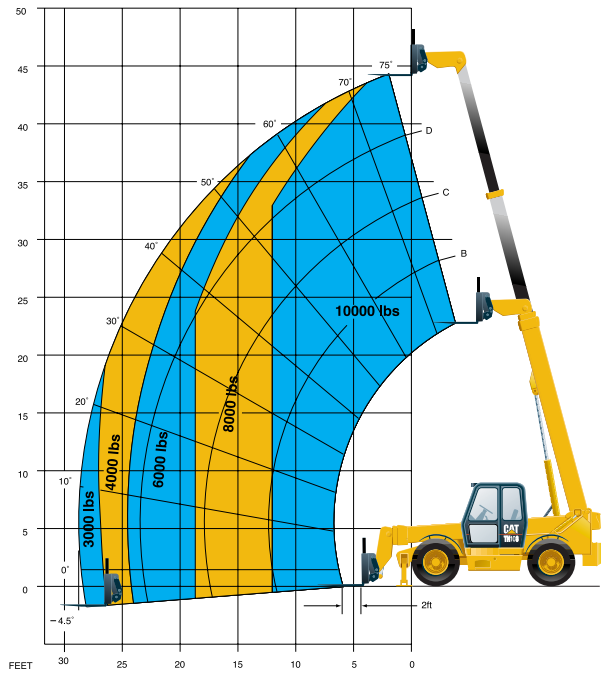
- Truss Boom

- Access Platform

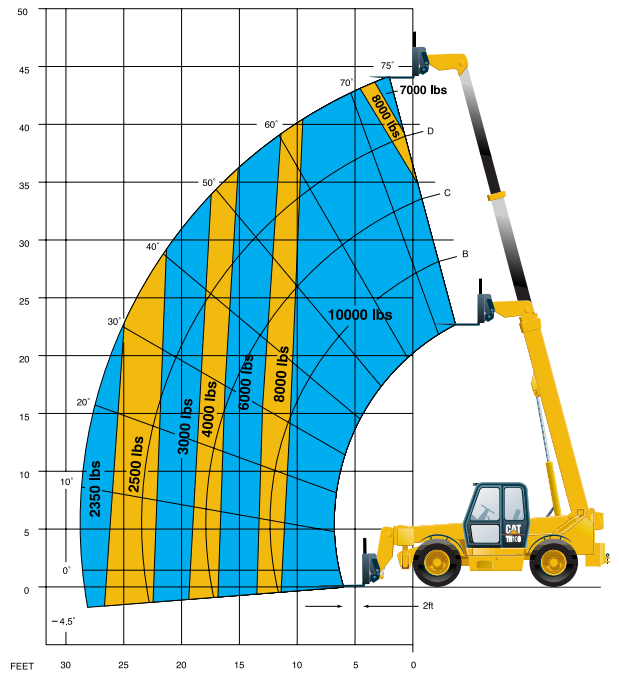
Dimensions



Operating Specs



Machine with stabilizers down



Machine with stabilizers up

Performance

	Stabilizers Down	Stabilizers Up
Rated Load Capacity	4535 kg (10,000 lb)	4535 kg (10,000 lb)
Maximum Lift Height	13.4 m (44 ft)	13.4 m (44 ft)
Capacity at Maximum Lift Height	4535 kg (10,000 lb)	3175 kg (7000 lb)
Maximum Forward Reach	8.7 m (28 ft 9 in)	8.7 m (28 ft 9 in)
Capacity at Maximum Reach	1360 kg (3000 lb)	1065 kg (2350 lb)

Specifications shown are for machines equipped with a 48-inch fixed carriage. Stabilizers are standard on the TH103.

www.CAT.com
© 2000 Caterpillar
Printed in U.S.A.

AEHQ9035-01 (08-00)
(Replaces AEHQ9035)

Featured machines may include additional equipment only for special applications.
See your authorized Caterpillar Dealer or Cat rental store for available options.
Materials and specifications are subject to change without notice.