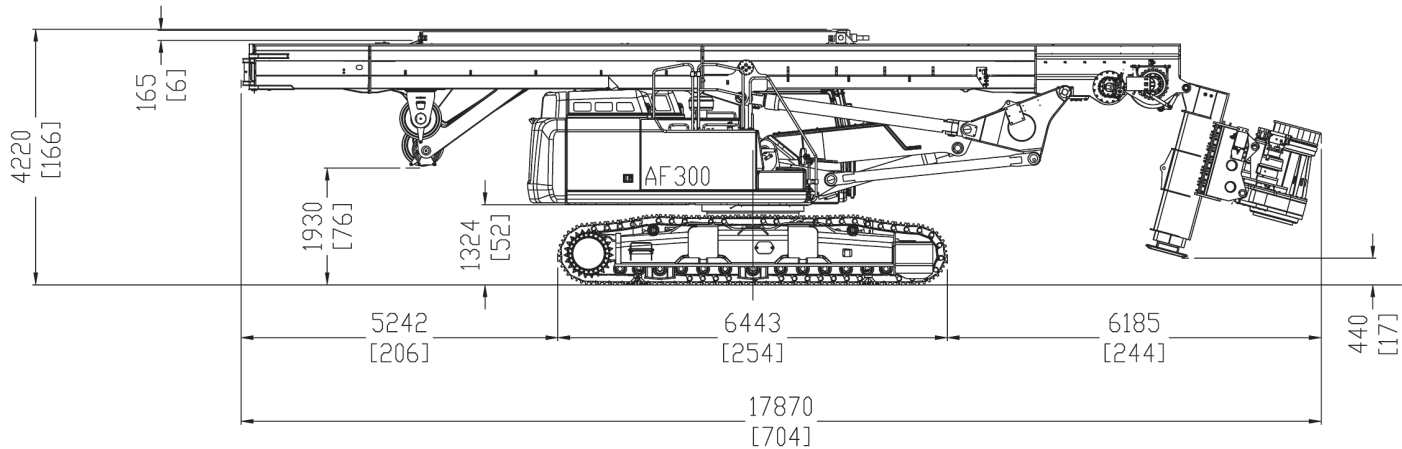


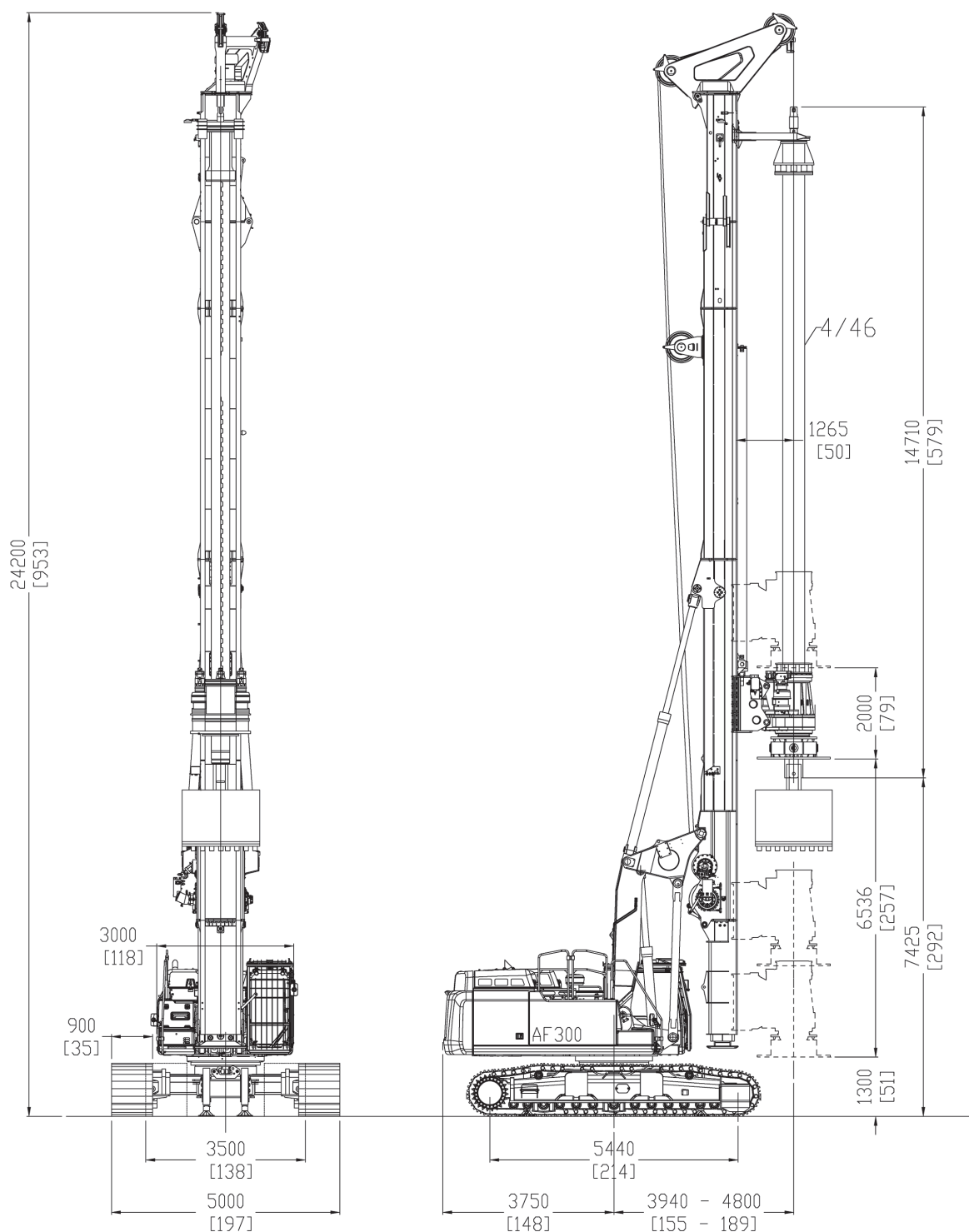


# AF 300E



<b>Base</b>		<b>CAT 349 E</b>
Undercarriage length / widening range / shoe	mm	6440/3500 - 5000/900
	in	253/137 - 197/35,4
Engine type		CAT C13 Acert Tier4
Power	Kw	322 KW (432HP) @ 1800rpm
<b>Rotary</b>		
Installed torque	kNm	310
	lbf ft	228645
Working speed	rpm	6,5 - 28
Discharge speed	rpm	45 - 110
<b>Winches</b>		
Main winch pull force	kN	300
	lbf	67445
Main winch speed	m/min	70
	ft/min	230
Main winch Cable diameter	mm	32
	in	/
Auxiliary winch pull force	kN	150
	lbf	33725
Auxiliary winch Speed diameter	m/min	80
	ft/min	262
Auxiliary winch Cable diameter	mm	20
	in	/
<b>Crowd system</b>		
Kelly crowd push	kN	350
Kelly crowd pull	lbf	78685
	kN	390
Stroke	lbf	87680
	mm	6536
	in	257
<b>Mast</b>		
Mast raking forward		5°
Mast side raking		+5,5°
Mast raking backwards		15°
Pile max. diameter	mm	2500
	in	99
<b>Kelly bar</b>		
Standard		4/46
Options available		3/35 - 4/50 - 5/50 - 5/64 - 6/75
Operating Weight w/standard kelly bar	t (metric)	99,5
	lbs	219360

# Measurements in working phase



**IMT**  
**INTERNATIONAL**  
**Legal Headquarters:**  
 Via dei Gracchi, 91 - 00192 Roma Italy  
**Offices and Plant:**  
 Via d'Ancona, 39 - 60027 Osimo (An) - Italy  
 Tel. + 39 071 723341 r.a. - Fax + 39 071 7133352  
 www.imtspa.com - imt@imtspa.com

All technical data are purely indicative and subject to change without notice.